

ABSTRACT

In this guide, you will find information about our products, product codes, external links to brochures and drawings.

CLOW CANADA LIST

Hydrants.....	4
M67 / M93 / Monitor & Heritage Brigadier Hydrant Parts List	4
M67 / M93 / Monitor & Heritage Brigadier Hydrant Parts List Cont'd	5
M67B Brigadier Hydrant Drawing.....	6
McAvity M67 Parts List	7
M67 McAvity Hydrant Drawing.....	8
D67M Premier Hydrant Parts List	9
D67M Premier Hydrant Parts List – Cont'd	10
D67M – P Premier Hydrant Drawing.....	11
Concord D67M Parts List.....	12
Concord D67M Drawing.....	13
Concord Daigle D67 Parts List.....	14
Concord Daigle D67 Drawing.....	15
McAvity 9651 #1 & #2 Parts List	16
McAvity 9651 #1 & #2 Drawing.....	17
McAvity 9658 Parts List	18
McAvity 9658 Drawing	19
McAvity M59M Parts List	20
McAvity M59M Drawing	21
Bibby Sentinel - Parts List.....	22
Bibby Sentinel Drawing.....	23
Hydrant Parts.....	24
Pumper Nozzles & Pumper Caps for any Clow Hydrant with Threaded Body Nozzle Connections	24
Hose Nozzles & Caps	25
D67M / D67- Premier Variable Parts Options	26
M67 Brigadier / M67 Variable Parts Options.....	27
Fire Hydrants Extensions.....	28
Tools Required for Maintenance / Repairs.....	29
Hydrants Kits and Conversion Kits.....	30
Inlets Complete	31
M67B Upper & Lower Stem with Main Valve Kits Drawing	32
D67M-P Upper & Lower Stem with Main Valve Kits Drawing	33
Bonnet Assemblies Drawings	34
Drip Valve & Seat Complete	35
Traffic Repairs Kits – With & Without Upper Stem.....	35
Upper Body Complete – All Models (Assembly below for current production hydrants)	36

Fitted Upper Barrel (Assembly below for current production hydrants).....	37
Resilient Wedge Gate Valves	38
Resilient Wedge Gate Valves - Product Codes Open Left.....	38
Fire Protection – Product Codes	38
Clow Resilient Wedge Gate Valve Parts 2" -4"	39
Clow Resilient Wedge Gate Valve Parts 4" -12"	40
Clow Resilient Wedge Gate Valve Parts 14" -16"	41
Non-Rising Stem Resilient Wedge Gage Valve Rebuild Kits	42
AWWA C504 Butterfly Valves.....	43
M&H MODEL 4500 Class 150B / EPDM on 304 SS SEAT / 2" NUT or HANDWHEEL / FUSION EPOXY	43
Services Boxes.....	44
Services Boxes Rods – SS Pins	44
Services Boxes Accessories	45
Service Boxes Drawing.....	46
300 SERIES HARNESS STYLE RESTRAINTS	47
300 SERIES HARNESS STYLE RESTRAINTS – Product details.....	48
300 SERIES HARNESS STYLE RESTRAINT-RINGS ONLY.....	48
360 SERIES HARNESS STYLE RESTRAINT-RINGS ONLY.....	48
TUFGRIP.....	49
TUFGRIP DUAL WEDGE MECHANICAL JOINT RESTRAINT GLAND ONLY	49
TUFGRIP DUAL WEDGE MECHANICAL JOINT RESTRAINT COMPLETE KIT	49
SERIES 40C FLANGE ADAPTORS for DUCTILE IRON PIPE.....	50
SERIES 90C FLANGE ADAPTORS for PVC PIPE	50
D50 SEWER SADDLES	51
D50 PARTS AND "O" RINGS	51
DAIG-O-PER TAPPING MACHINE	52
REPLACEMENT PARTS	52
DAIG-O-PER TAPPING MACHINE AND PARTS OPTIONAL EQUIPMENT	53
CLOW CANADA ULC/FM INDICATOR POSTS LIST.....	54
Indicator Posts 2945A.....	54
McAVITY INDICATOR POSTS EXTENSIONS.....	55
POST INDICATOR PARTS.....	55

HYDRANTS

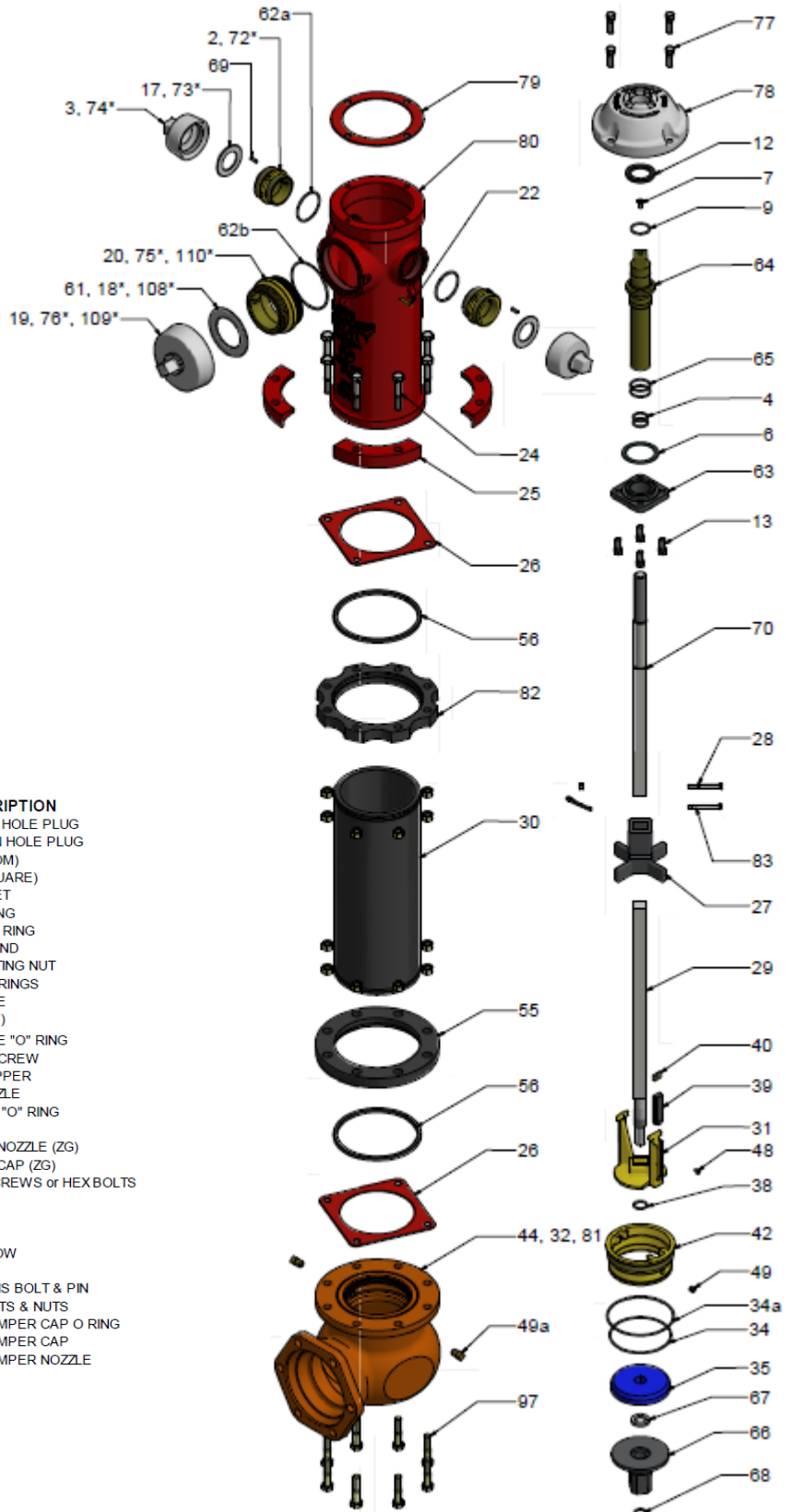
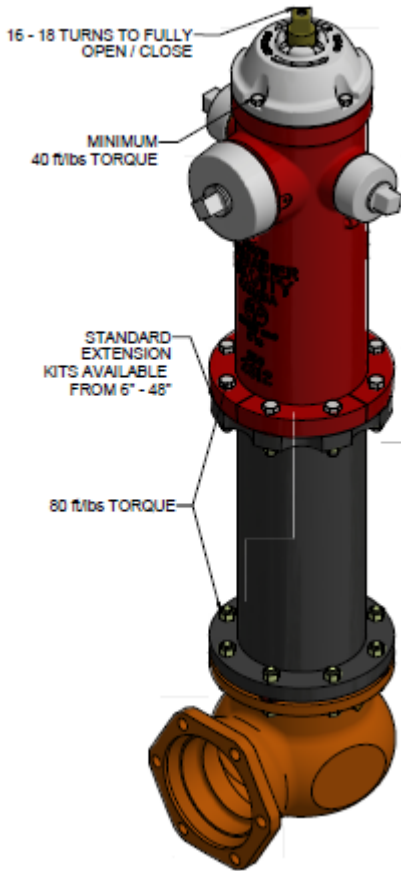
M67 / M93 / Monitor & Heritage Brigadier Hydrant Parts List

QTY	REF	DESCRIPTION	MATERIAL	PROUDUCT CODE
2	2	Hose Nozzle	Copper Alloy	Hose Nozzle Page
2	3	Hose Nozzle Cap	Cast Iron	Hose Cap Page
	4	Housing Stem "O" Rings	Buna - N	T8100207
1	5	Hose Cap Chain & "S" Hook 2H1P	Steel Z.P.	R8104345
1	6	Housing Joint Gasket	Compressed Non-Asbestos	T8107782
1	7	Oil Hole Screw	Brass	T8100131
1	9	Operating Nut "O" Ring	Buna - N	T8100210
1	12	Operating Nut Bearing	Delrin	T8107035
4	13	Cap Screw 1/2" X 1 1/4"(Ret. Gld. Bolts)	Steel Z.P.	T8100032
2	17	Hose Cap Gasket	Red Rubber	T8107473
1	18	Storz Pumper Cap "O" Ring	Buna - N	T8100227
1	19	Pumper Cap	Cast Iron	Pumper Cap Page
1	20	Pumper Nozzle	Copper Alloy	Pumper Nozzle Page
1	22	Pumper Nozzle Pin	Brass	F8100942
8	24	Intersection Bolts & Nuts	Steel	R8103201
4	25	Safety Flange Segments	Cast Iron	M8101510
2	26	Intersection Gasket	Red Rubber	T8100240
1	27	Safety Coupling	Cast Iron	M8101511
2	28	Safety Coupling Bolt & Nut (3/8"X3")	Steel Z.P.	R8103200 (Set of 2)
1	29	Lower Operating Stem (6' B)	Steel	Stem Page
1	30	Intermediate Section Epoxy Coated	Ductile Iron	I.S. Page
1	31	Drip Valve- Ass'y (#S 31,39,40,48)	Copper Alloy (#31)	F8100947
1	32*	Drain Hole Lining	Brass	T8100438
1	34a	Main Valve Seat "O" Ring (Upper)	Buna - N	T8100219
1	34	Main Valve Seat "O" Ring (Lower)	Buna - N	T8100218
1	35	Main Valve Disc	Rubber Or Poly	R - T8100444 / P - T8100445
1	38	Main Valve "O" Ring	Buna - N	T8100206
1	39	Drip Valve Rubber	Rubber	T8100443
1	40	Holding Clamp	Plastic	T8100442
1	42	Main Valve Seat	Copper Alloy	F8100933
1	44*	6" Hydrant Inlet Flg / Tyton / MJ	Cast Iron	Inlet Page
	45&46	Interior Wrench & Guide		R8101516
	47	Holding Nut (Confirm LH or RH)		OL: F8101518 OR: F8101517
1	48	Holding Clamp Screw	Brass	T8100133
1	49	1/4" Internal Drain Hole Plug	Brass	T8100922
2	49a	3/8" External Drain Hole Plug	Brass	T8100480
1	50	Intersection Extension @ Grade	Ductile Iron	Extension Page
1	51	Extension Stem @ Grade	Steel	Extension Page
1	52	Alignment Coupling	Cast Iron	A8105475
2	53	Extension Stem Bolt & Nut	Steel Z.P.	R8103200
1	55	Pipe Flange (Bottom)	Cast Iron	M8104150

M67 / M93 / Monitor & Heritage Brigadier Hydrant Parts List Cont'd

1	56	Retaining Ring (Square)	Steel Z.P.	M8200441
1	57	Monitor Bolts & Nuts (5/8"X2 3/4")	18-8 Stainless Steel	T8100071/T8100016
1	58	Monitor Elbow- 3" 90° C110 D.I. Flg	Cast Iron	M8100479
1	59	Monitor Elbow-Gasket	Rubber	T8100243
1	61	Pumper Cap Gasket - Small	Rubber	T8100243
1		Pumper Cap Gasket - Large	Rubber	T8100244
2	62a	Hose Nozzle "O" Ring	Buna - N	T8100214
1	62b	Pumper Nozzle "O" Ring	Buna - N	T8100217
1	63	Operating Nut Retaining Gland	Cast Iron	M8104776
1	64	Hydralube Operating Nut	Copper Alloy	<u>Op Nut Page</u>
1	65	Retaining Gland "O" Rings	Buna - N	T8100211
1	66	Lower Valve Plate	Cast Iron	M8104777
1	67	Main Valve Lock washer	18-8 Stainless Steel	T8104783
1	68	Lower Valve Plate "O" Ring	Buna - N	T8103905
2	69	Hose Nozzle Set Screw	18-8 Stainless Steel	T8200607
1	70	Upper Operating Stem	416 Mx SS	A8104781
1	71	100mm Storz Pumper Nozzle - Brass	Brass	F8100895
2	72	63mm (2-1/2") Storz Hose Nozzle	Brass	<u>Hose Nozzle Page</u>
2	73	Storz Hose Cap "O" Ring	Buna - N	T8104513
2	74	63mm (2-1/2") Storz Hose Cap	Cast Iron	<u>Hose Nozzle Page</u>
1	75	(4") 100 Mm Storz Pumper Nozzle (SS)	18-8 Stainless Steel	M8200299
1	76	(4") Storz Pumper Cap	Cast Iron	<u>Pumper Cap Page</u>
4	77	Body Cap Allen Screws or Hex Bolts	18-8 Stainless Steel	T8100149
1	78	Body Cap	Cast Iron	OL: M8105175 / OR: M8105176
1	79	Body Cap Gasket	Red Rubber	T8200563
1	80	Upper Body	Cast Iron	M8105169
1	81*	Seat Ring	Copper Alloy	F8105153
1	82	Pipe Flange (Top)	Cast Iron	M8104149
1	83	Safety Coupling Clevis Bolt & Pin	Steel Z.P.	T8401117 / T8400262
1	84	14" Dia. Handwheel W/ Spinner Ass'y	Cast Iron	R8105433 - 7/8-5 Sided / R8105432 1 1/2"-3 Tri. / R8105431 - 1 1/4"SQ
1	85	1/2"X3" Bolt W/Spinner	18-8 Stainless Steel	T8200594 / M8101222
	87	On-Line Spider	Cast Iron	M8300287
	88	Hex HD Bolt 3/8"X1-1/4" 18-8 SS	18-8 Stainless Steel	T8105747
	90	125mm Storz Pumper Noz Ext "O" Ring	Buna - N	T8105793
1	91*	6" Online Chamber - ANSI B16.1 Flg.	Cast Iron	A8105313
1	91*	8" Online Chamber - ANSI B16.1 Flg.	Cast Iron	A8300286
	93	5/16"X1" Hex Bolt	Steel Z.P.	T8100027
1	Ass'y (95,95,96 & 26(x2) *	1/4" Thick - Northern Insulation Kit	Phenolic / Red Rubber	T8108101
	97	11/32"X1 1/2" Flat Washer	Steel Z.P.	T8100721
	101	Zinc Anode		T8200473
1	108	(5") 125mm Storz Pumper Cap "O" Ring	Buna - N	T8105792
1	109	(5") 125mm Storz Pumper Cap	Cast Iron	<u>Pumper Cap Page</u>
1	110	(5") 125mm Storz Pumper Nozzle	Copper Alloy	F8105734

M67B Brigadier Hydrant Drawing



REF #	DESCRIPTION	REF #	DESCRIPTION
2	HOSE NOZZLE	49*	1/4" INTERNAL DRAIN HOLE PLUG
3	HOSE NOZZLE CAP	49a*	3/8" EXTERNAL DRAIN HOLE PLUG
4	HOUSING STEM "O" RINGS	55	PIPE FLANGE (BOTTOM)
6	HOUSING JOINT GASKET	56	RETAINING RING (SQUARE)
7	OIL HOLE SCREW	61	PUMPER CAP GASKET
9	OPERATING NUT "O" RING	62a	HOSE NOZZLE "O" RING
12	OPERATING NUT BEARING	62b	PUMPER NOZZLE "O" RING
13	RET. GLAND HEX BOLT (1/2" x 1 1/4")	63	OPERATING NUT GLAND
17	HOSE CAP GASKET	64	HYDRALUBE OPERATING NUT
18	STORZ 100 PUMPER CAP "O" RING	65	OPERATING NUT "O" RINGS
19	PUMPER NOZZLE CAP	66	LOWER VALVE PLATE
20	PUMPER NOZZLE	67	LOCKWASHER (1 1/8")
21*	PUMPER CAP CHAIN & "S" HOOK	68	LOWER VALVE PLATE "O" RING
22	PUMPER NOZZLE PIN	69	HOSE NOZZLE SET SCREW
24	INTERSECTION BOLTS & NUTS	70	OPERATING STEM UPPER
25	SAFETY FLANGE (SEGMENTS)	72*	STORZ 65 HOSE NOZZLE
26	INTERSECTION GASKET	73*	STORZ 65 HOSE CAP "O" RING
27	SAFETY COUPLING	74*	STORZ 65 HOSE CAP
28	SAFETY COUPLING BOLT & NUT	75*	STORZ 100 PUMPER NOZZLE (ZG)
29	OPERATING STEM LOWER	76*	STORZ 100 PUMPER CAP (ZG)
30	INTERMEDIATE SECTION	77	BODY CAP ALLEN SCREWS or HEX BOLTS
31	DRIP VALVE	78	BODY CAP
32	DRAIN HOLE LINING C/W ELBOW	79	BODY CAP GASKET
34	SEAT "O" RING BOTTOM	80	BODY
34a	SEAT "O" RING TOP	81	SEAT RING C/W ELBOW
35	MAIN VALVE DISC	82	PIPE FLANGE TOP
38	MAIN VALVE "O" RING	83	SAFETY CPLG. CLEVIS BOLT & PIN
39	DRIP VALVE FACING	97	PIPE TO ELBOW BOLTS & NUTS
40	HOLDING CLAMP	108*	STORZ 125mm ZH PUMPER CAP O RING
42	MAIN VALVE SEAT	109*	STORZ 125mm ZH PUMPER CAP
44	ELBOW (STATE INLET REQUIRED)	110*	STORZ 125mm ZH PUMPER NOZZLE
48	HOLDING CLAMP SCREW		

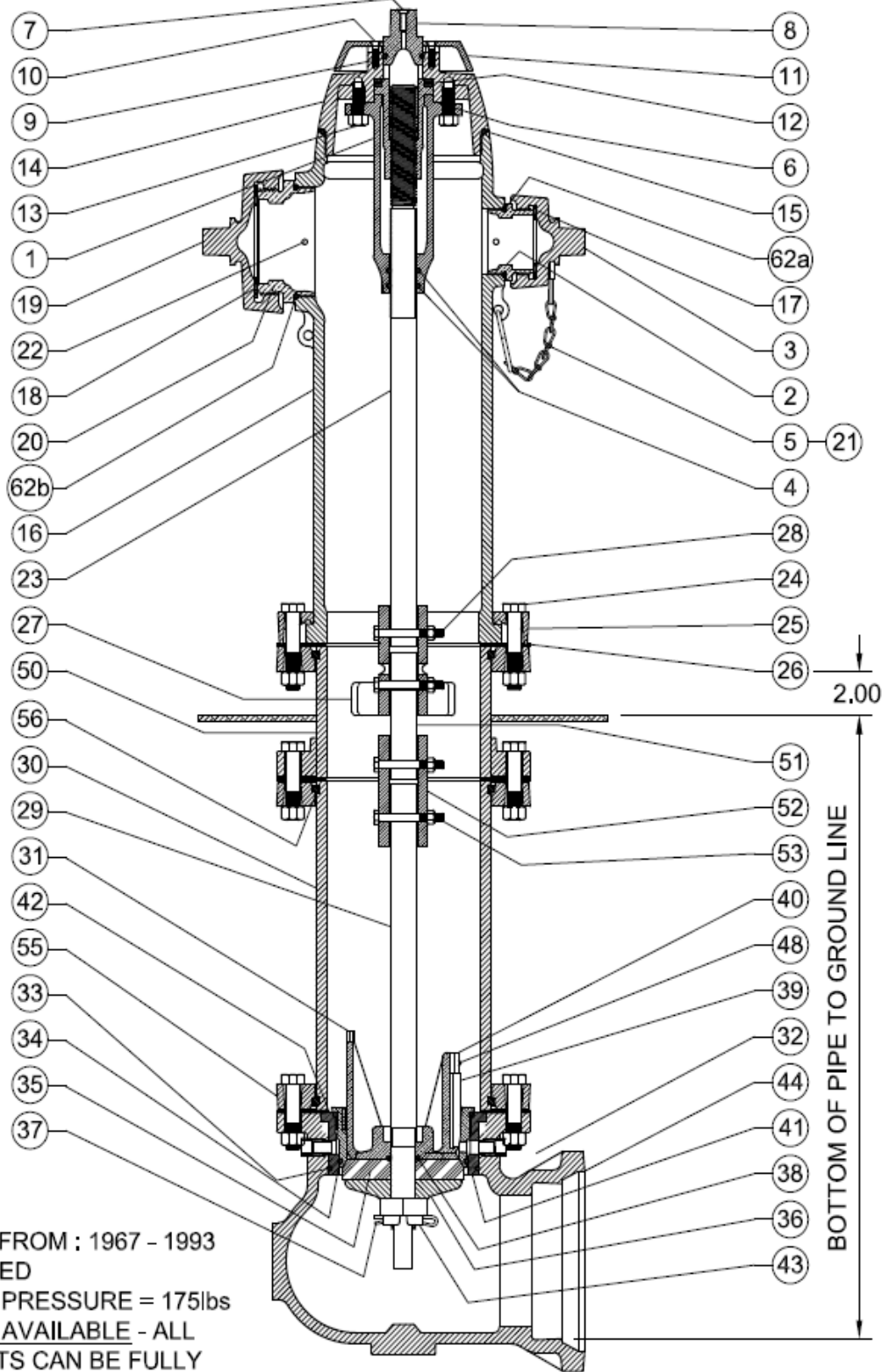
BRIGADIER

250 PSI **FM** APPROVED

McAvity M67 Parts List

QTY	REF	DESCRIPTION	PRODUCT CODE
-	1	Operating Housing (Now Retaining Gland W/ Op. Nut 63 & 64)	
2	2	Hose Nozzle	Hose Nozzle Page
2	2A	Nozzle "O" Ring	T8100214
2	3	Hose Cap	Hose Cap Page
2	4	Housing Stem "O" Ring	T8100207
1	6	Housing Joint Gasket	T8107782
1	7	Oil Hole Screw	T8100131
-	8	Discontinued See Part # 64 Op Nut-See Below	F8100872
-	9	Operating Nut "O" Ring	T8100210
2	10	Body Cover Screws	T8100152
1	11	Body Cover	OL: M8101508 OR: M8101509
1 Ass'y	12	Needle Bearing	R8103346
4	13	Housing Cap Screws	T8100032
1	14	Body Cap	M8108628
1	15	Body Cap "O" Ring	T8100221
1	16	Upper Barrel 2H1P	Threaded Body Discontinued
2	17	Hose Cap Gasket	T8107473
1	18	Pumper Cap Gasket	T8100243 / T810244
1	19	Pumper Cap	Pumper Cap Page
1	20	Pumper Nozzle	Pumper Nozzle Page
1	20A	Pumper Nozzle "O" Ring	T8100217
1	22	Nozzle Pin (Same as Brigadier)	F8100942
-	23	Discontinued See Part #70	O/L A8104781
8	24	Intersection Bolts & Nut	R8103201
4	25	Safety Flange Segments	M8101510
2	26	Intersection Gasket	T8100240
1	27	Safety Coupling	M8101511
1	28	Coupling Bolts & Nut	Set of 2 R8103200
1	29	Lower Stem 6'0" Bury	M8101450
1	30	Lower Barrel 6'0" Bury	A8104110
1	31	Drip Valve Assembled	F8100947
1	32	Drain Hole Liner	1-13/32" T8100438 1-19/32" T8105965
1	33	Seat Casing "O" Ring	T8100220
1	34	Lower Seat "O" Ring	T8100218
1	34A	Upper Seat "O" Ring	T8100219
1	35	Main Valve Rubber - Buna	T8100444
1	36	Main Valve Washer	M8100932
1	37	Cotter Pin	T8100139
1	38	Main Valve "O" Ring	T8100206
1	39	Drip Valve Facing	T8100443
1	40	Drip Valve Facing Clamp	T8100442
1	41	Seat Casing **Obsolete**	Not Offered
1	42	Main Valve Seat	F8100933
1	43	Main Valve Locknut	F8100934
1	44	Inlet Boot (State Joint Type)	Inlet Page
1	48	Holding Clamp Screw	T8100133
1	63	Retaining Gland	M8104776
1	64	Hydralube Operating Nut	F8104760
1	70	Upper Operating Stem	A8104781

M67 McAvity Hydrant Drawing



MANUFACTURED FROM : 1967 - 1993
ULC / FM APPROVED
RATED WORKING PRESSURE = 175lbs
CONVERSION KIT AVAILABLE - ALL
REMOVABLE PARTS CAN BE FULLY
UPGRADED TO THE CURRENT M67/M93
BRIGADIER MODELS - WITHOUT
EXCAVATING.

M67 HYDRANT
CLOW CANADA

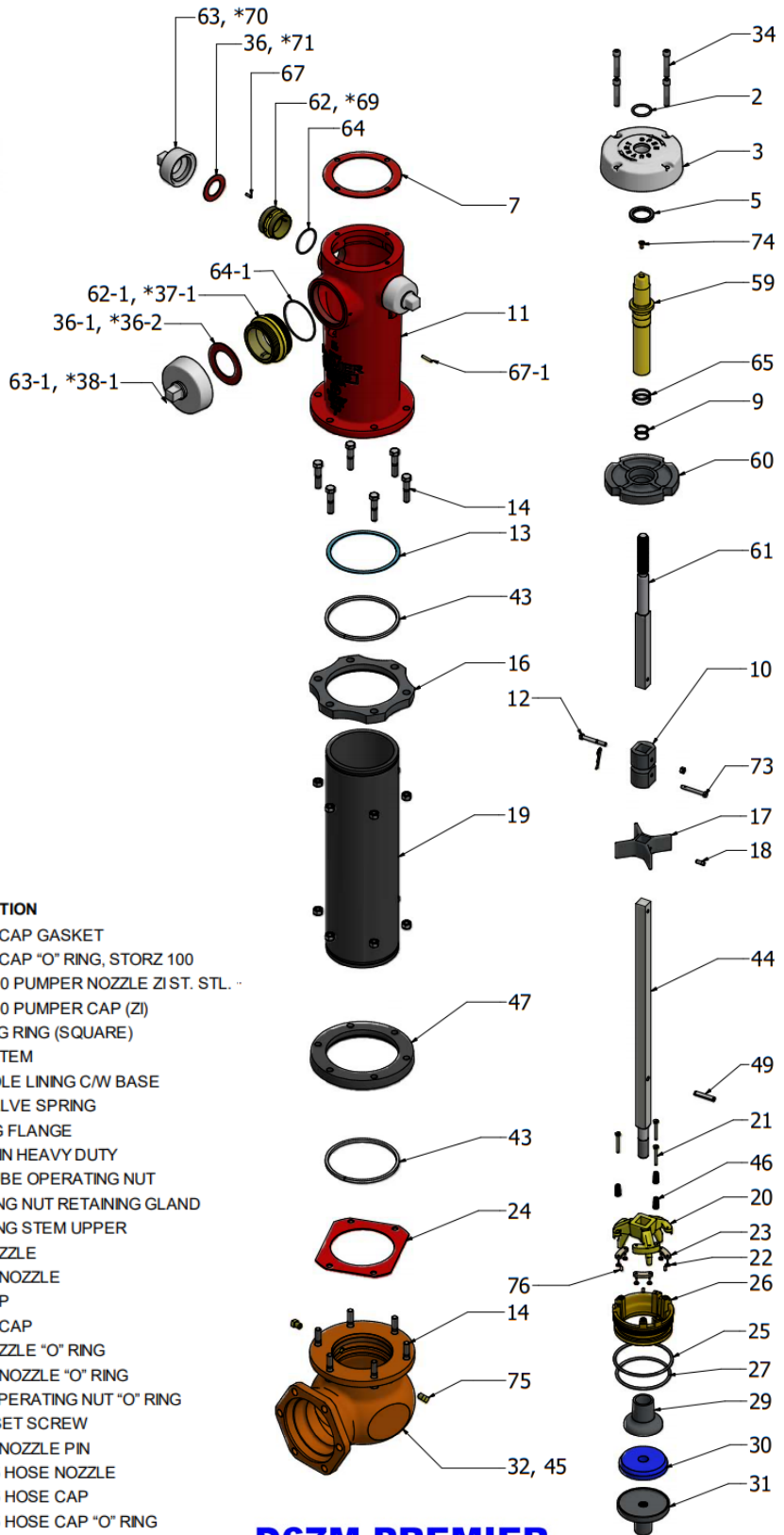
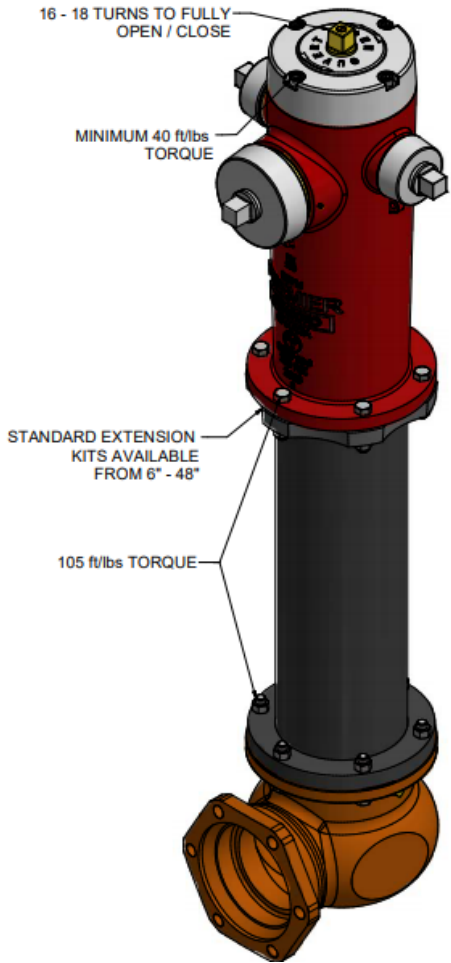
D67M Premier Hydrant Parts List

QTY	REF	DESCRIPTION	PROUDCT CODE
1	2	Bonnet Op Nut "O" Ring	T8100224
1	3	Bonnet	OL: M8200233
1	5	Delrin Bearing	T8107035
1	7	Bonnet Gasket	T8200563
2	9	Op Nut "O" Ring	T8100207
1	10	Breaking Coupling	M8200240
1	11	Upper Barrel 2H1P	M8202741
2	12	Coupling Bolt & Nut	T8100085 + T8104424 = R8108296
1	13	Body Gasket	T8200581
12	14	Int. Section Bolts & Nuts	T8100016 + T8100072 = R8204328
1	16	Breaking Flange	M8200476
1	17	Stem Guide	M8200281
1	18	Stem Guide Set Screw	T8200603
1	19	Lower Barrel 6' Bury	<u>Variable Parts</u>
1	20	Drain Valve Ass'y Complete (p/ns 20,22,23)	A8202257
3	21	Drain Valve Screw	T8200579
6	22	Drain Valve Rivet (Avail. In assembly only)	T8200604
3	23	Drain Valve Rubber	T8200572
1	24	Gasket	T8200570
1	25	Drain Valve "O" Ring Upper	T8200588
1	26	Valve Seat	F8200474
1	27	Drain Valve "O" Ring Lower	T8200589
1	29	Valve Carrier Upper	Old: M8200282 / New: M8200283
1	30	Main Valve Rubber - Buna	T8200478
1	31	Valve Retainer Lower	M8200283
1	32	Base	<u>INLET PAGE</u>
4	34	Bonnet Allen Screw	T8200594
2	36	Hose Cap Gasket	T8107473
1	36-1	Pumper Cap Gasket	LG-8100244 SM-T8100243
1	37-1	Pumper Nozzle Storz (not shown)	M8200299
1	38-1	Pumper Cap Storz (not shown)	M8200309
1	40	Chains 2 Hose	R8104344
1	41	Chains 2 Hose 1 Pumper	R8104345
2	43	Retaining Ring	M8200441
1	44	Lower Stem 6' Bury	M8200357
2	45	Drain Hole Liner	T8100438

D67M Premier Hydrant Parts List – Cont'd

3	46	Drain Valve Spring	T8200583
1	47	Floating Flange	M8200302
1	48	Threaded Flange (Optional)	M8200399
1	49	Spiral Pin Head	T8104353
	50 & 51	Interior Wrench & Guide	R8101516
1	55	Seat Ring (Optional / not shown)	F8105154
1	57	Extension Coupling (Optional)	A8203449
1	59	Operating Nut	Op Nut Page
1	60	Op Nut Retaining Gland	M8202730
1	61	Upper Operating Stem	A8202728
2	62	Hose Nozzle	Hose Nozzle Page
1	62-1	Pumper Nozzle	Pumper Nozzle Page
2	63	Hose Cap	Hose Cap Page
1	63-1	Pumper Cap	Pumper Cap Page
1	64	Hose Nozzle "O" Ring	T8100214
1	64-1	Pumper Nozzle "O" Ring	T8100217
2	65	Gland Op Nut "O" Ring	T8100211
2	67	Hose Nozzle Set Screw	T8200607
1	67 -1	Nozzle Pin	F8100942
1	68	Pumper Cap "O" Ring Storz (Not Shown)	T8100227
2	69	Hose Nozzle Storz (Optional / Not Shown)	Hose Nozzle Page
2	70	Hose Cap Storz (Optional / Not Shown)	Hose Cap Page
1	71	Hose Cap "O" Ring	T8104513
1	73	Safety Coupling Clevis Bolt & Pin	T8401117 + T8400262 = R8108127
1	74	Oil Hole Screw	T8100131
	75	External Drain Plug 3/8"	T8100480
	76	Internal Drain Plug 1/4"	T8203629
1	78	14" Dia. Handwheel W/ Spinner Ass'y	R8105433 - 7/8-5 sided
1	79	1/2"X3" Bolt W/Spinner	T8200594 + M8101222 = R8108118
1	80	5/16"X1" Hex Bolt	T8100027
1	81	11/32"X1 1/2" Flat Washer	T8100721

D67M – P Premier Hydrant Drawing



DESCRIPTION	
2	BONNET OPERATING NUT "O" RING
3	BONNET
5	OPERATING NUT BEARING
7	BONNET GASKET
9	HOUSING OPERATING NUT "O" RING
10	BREAK COUPLING
11	HYDRANT BODY
12	HEX HEAD BOLT & NUT (COUPLING)
13	HYDRANT BODY RING GASKET
14	HEX HEAD BOLT & NUT (INTERSECTION)
16	BREAKING FLANGE
17	STEM GUIDE
18	STEM GUIDE SET SCREW
19	INTERMEDIATE SECTION
20	DRAIN VALVE TRIPOD
21	DRAIN VALVE SCREW
22	DRAIN VALVE RIVET
23	DRAIN VALVE RUBBER
24	INTERMEDIATE GASKET
25	M.V. SEAT UPPER "O" RING
26	MAIN VALVE SEAT
27	M.V. SEAT LOWER "O" RING
29	VALVE CARRIER
30	MAIN VALVE RUBBER or BLUE POLY
31	LOWER VALVE PLATE
32	BASE (STATE INLET REQUIRED)
34	BONNET ALLEN SCREW
36	HOSE CAP GASKET

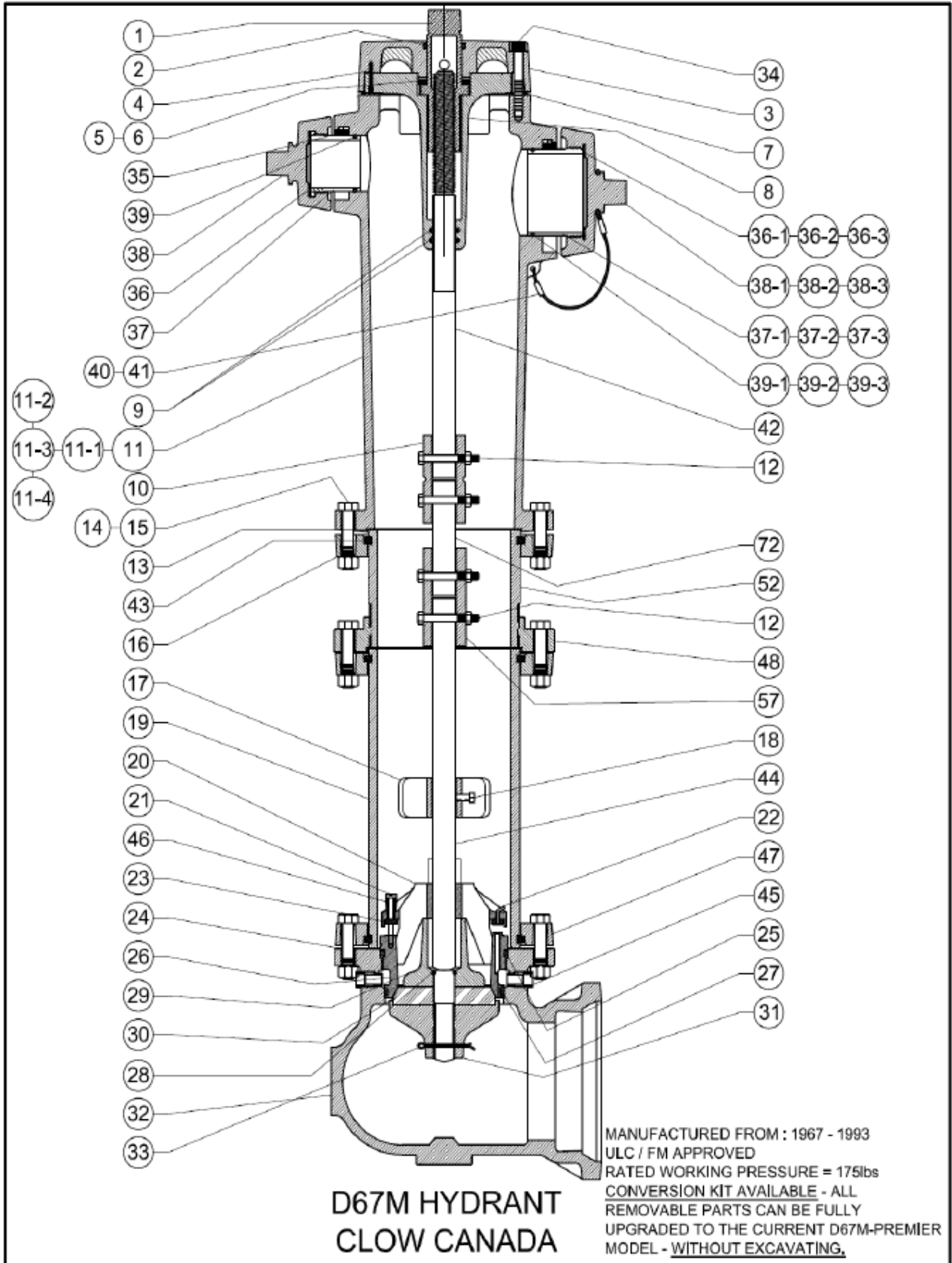
DESCRIPTION	
36-1	PUMPER CAP GASKET
*36-2	PUMPER CAP "O" RING, STORZ 100
*37-1	STORZ 100 PUMPER NOZZLE ZI ST. STL. "
*38-1	STORZ 100 PUMPER CAP (ZI)
43	RETAINING RING (SQUARE)
44	LOWER STEM
45	DRAIN HOLE LINING C/W BASE
46	DRAIN VALVE SPRING
47	FLOATING FLANGE
49	SPIROL PIN HEAVY DUTY
59	HYDRALUBE OPERATING NUT
60	OPERATING NUT RETAINING GLAND
61	OPERATING STEM UPPER
62	HOSE NOZZLE
62-1	PUMPER NOZZLE
63	HOSE CAP
63-1	PUMPER CAP
64	HOSE NOZZLE "O" RING
64-1	PUMPER NOZZLE "O" RING
65	GLAND OPERATING NUT "O" RING
67	NOZZLE SET SCREW
67-1	PUMPER NOZZLE PIN
*69	STORZ 65 HOSE NOZZLE
*70	STORZ 65 HOSE CAP
*71	STORZ 65 HOSE CAP "O" RING
73	COUPLING CLEVIS BOLT AND PIN
74	OIL HOLE SCREW
*75	EXTERNAL DRAIN PLUG 3/8"
*76	INTERNAL DRAIN PLUG 1/4"

D67M PREMIER
250 PSI FM APPROVED

Concord D67M Parts List

REF	DESCRIPTION	PROUDCT CODE
1	Operating Nut	F8200229
2	"O" Ring	T8100224
3	Bonnet	O/R M8200235 O/L M8200233
4	Cone Allen Screw	T8200596
5/6	Delrin Washer	T8107035
7	Bonnet Gasket	T8200563
8	Discontinued See Part #60&61	<u>See Premier List</u>
9	"O" Ring	T8100207
10	Coupling	M8200240
11	Upper Barrel 2H1P	M8202741
12	Hex Head Bolt & Nut	Set Of 2 R8103200
13	Body Gasket	T8200581
14	Hex Head Bolt	T8100043
15	Hex Nut	T8100003
16	Breaking Flange	M8200476
17	Stem Guide	M8200281
18	Stem Guide Set Screw	T8200603
19	Lower Barrel 6'0" Bury	M8200411
20	Drain Tripod Complete	A8202257
21	Drain Valve Screw	T8200579
22	Drain Valve Rivet	T8200604
23	Drain Valve Rubber	T8200572
24	Intersection Gasket (Red)	T8200570
25	"O" Ring	T8200588
26	Valve Seat	F8200474
27	"O" Ring	T8200589
28	"O" Ring	T8103906
29	Valve Ball Top	M8200282
30	Main Valve Rubber - Buna	T8200477
31	Valve Ball Bottom	M8200283
32	Base (State Inlet Type)	<u>See Inlet Page</u>
34	Bonnet Allen Screw	T8200594
35	Nozzle Allen Screw	T8200607
36	Hose Cap Gasket	T8107473
36/1	Pumper Cap Gasket	T8100243 T8100244
37	Hose Nozzle	Consult Sales for Bayonets style
37/1	Pumper Nozzle	
37/1	Storz Pumper Nozzle	
38	Hose Cap (Same as M67)	
38/1	Pumper Cap	
38/1	Storz Pumper Cap	
39	Hose Nozzle "O" Ring	T8100214
39/1	Pumper Nozzle "O" Ring	4" T8200614 4.5" T8100216
40/41	Cables & Clips	Chains Are Now Used
42	Upper Stem	O/R A8200337 O/L A8200336
43	Retainer Ring	M8200441
44	Lower Stem 6'0" Bury	M8200357
45	Drain Out Sleeve	M8200584
46	Drain Valve Spring	T8200583
47	Floating Flange	M8200302
	Brass Lead Plug	T8203629
49	Spiral Pin HD	T8104353

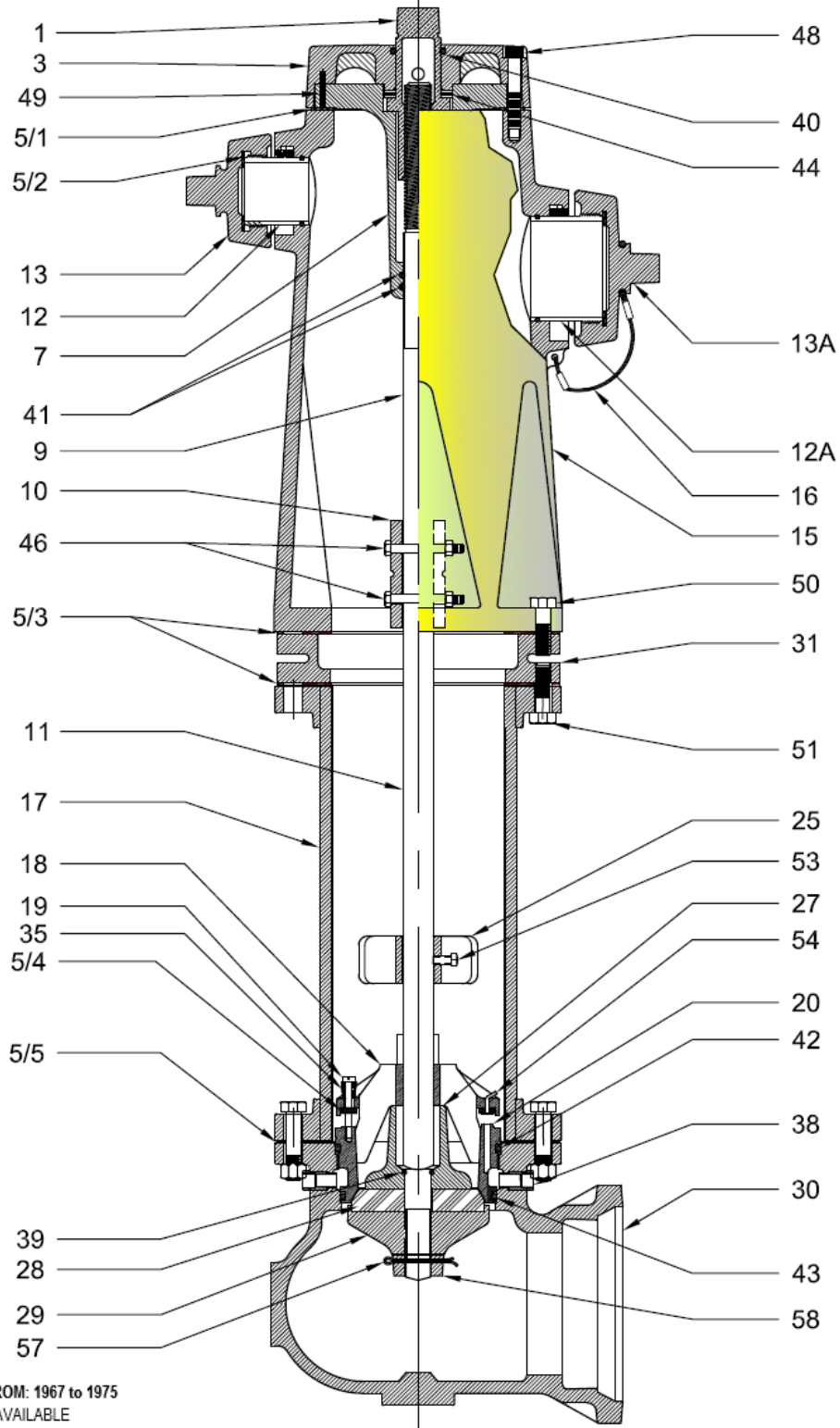
Concord D67M Drawing



Concord Daigle D67 Parts List

REF	DESCRIPTION	PROUDUCT CODE
1	Discontinued	See # 59
3	Bonnet	OL: M8200233 OR: M8200235
5/1	Bonnet Gasket	T8200563
5/2	Cap Gasket	-
5/3	Flange Gasket	T8200570
5/4	Drain Valve Rubber	T8200572
5/5	Intersection Gasket - 8 Holes	T8100240
7	Cone-Discontinued (See Part No 60)	Not Offered
9	Upper Stem	OR: A8200335 OL: A8200334
10	Break Coupling	M8200239
11	Lower Stem 6'0" Bury	M8200345
12	Hose Nozzle	Consult Sales for Bayonet Style
12A	Pumper Nozzle	Consult Sales for Bayonet Style
13	Hose Cap	Consult Sales for Bayonet Style
13A	Pumper Cap	Consult Sales for Bayonet Style
15	Hydrant Body-Discontinued	Not Offered
16	Cable with Clips / Now Use Chains	R814345 – 2H1P
17	Lower Barrel 6'0" Bury	Not Offered
18	Drain Valve Tripod	A8200276
19	Drain Valve Screw	T8200579
20	Main Valve Seat	A8200556
25	Stem Guide	M8200442
27	Valve Spacer	M8200282
28	Main Valve Rubber - Buna	T8200477
	Main Valve Rubber - Poly	T8200478
29	Valve Plate-Discontinued (See Part No 61)	Not Offered
30	Base (State Inlet Type)	Not Offered
31	Breaking Flange 6x8	M8200480
	Breaking Flange 6x6	M8200479
35	Drain Valve Spring	T8200583
38	Drain Sleeve	T8200584
39	"O" Ring#216	T8103906
40	"O" Ring#328	T8100224
41	"O" Ring# 218	T8100207
42	"O" Ring#438	T8200588
43	"O" Ring#435	T8200589
44	Roller Bearing or Delrin Bearing	R8103346
46	Coupling Bolts & Nuts	T8200593/T8100085
48	Bonnet Allen Screw	T8200594
49	Cone Allen Screw	T8200596
50	Hex Bolt 2"	T8100039
51	Hex Bolt 3"	T8100043
53	Stem Guide Screw	T8200603
54	Drain Valve Rivet	T8200604
57	Cotter Pin Discontinued	T8100138
58	Castle Nut - Discontinued	T8200606
59	Hydralube Operating Nut	Consult Sales for hydralube conversion kit
60	Operating Nut Retaining Gland	

Concord Daigle D67 Drawing



MANUFACTURED FROM: 1967 to 1975
CONVERSION KITS AVAILABLE
All removable parts can be upgraded to
the current Model D67M PREMIER - WITHOUT EXCAVATING

**D67 HYDRANT
CLOW CANADA**

McAvity 9651 #1 & #2 Parts List

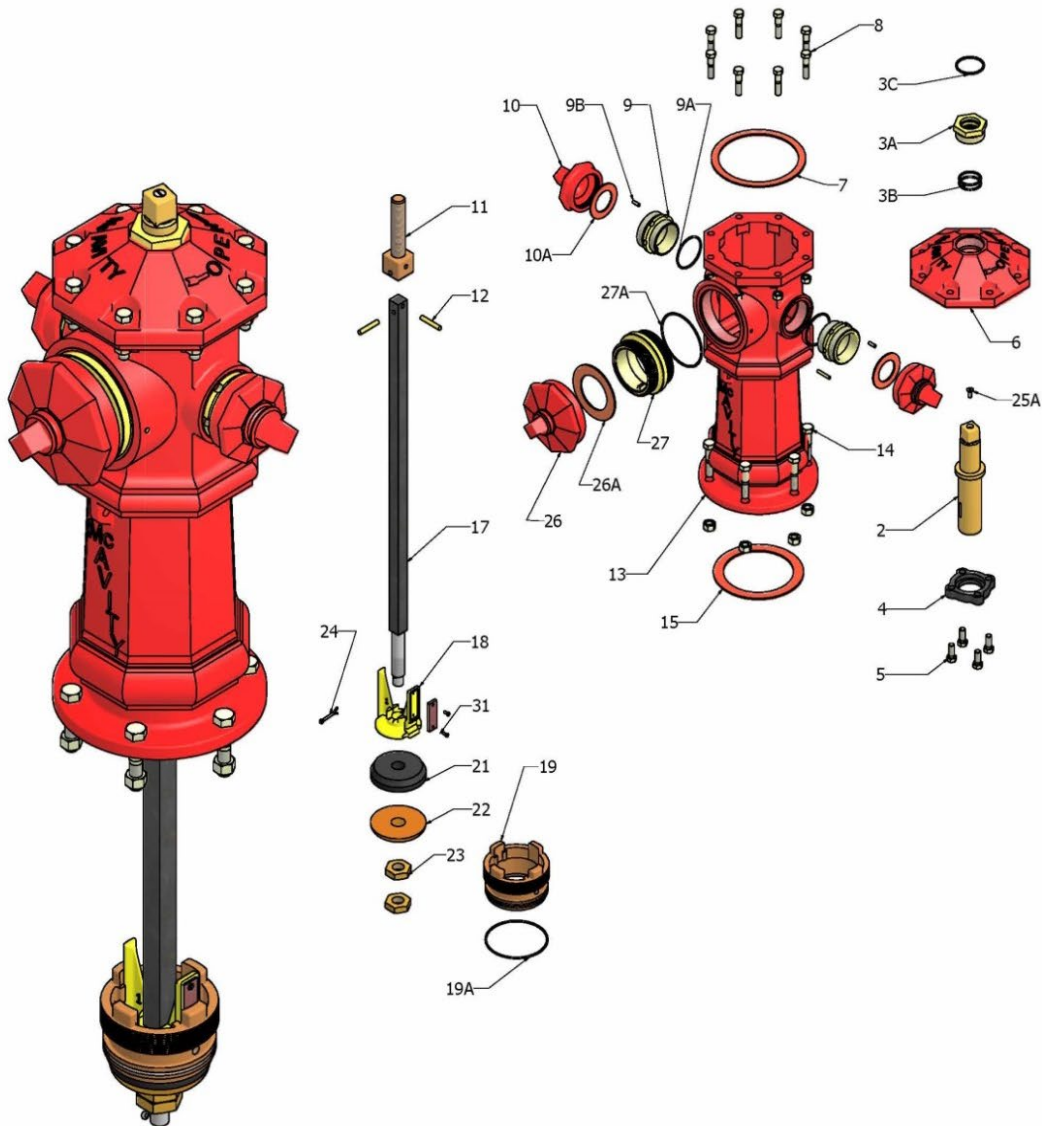
REF	DESCRIPTION	LIST PRICE	PROUDUCT CODE #1	PROUDUCT CODE #2
			4-1/4" VALVE OPENING	5-1/4" VALVE OPENING
1	Weatherproof Cap	\$85.61	M8300447	
2	Operating Nut	\$428.01	1 1/4"Sq F8300101	
3A	Packing Nut C/W "O" Rings	\$137.00	R8105179	R8105179
3B	Internal "O" Ring	\$6.30	T8100211	T8100211
3C	External "O" Ring	\$11.49	T8301210	T8301210
4	Operating Nut Thrust Flange	\$223.02	M8300105	M8300105
5	Thrust Flange Bolts & Nuts 4 Req'd	\$28.53	T8100032 / R8301316	T8100032 / R8301316
6	Body Cap (#1 M8300887)	\$480.27	Oct M8300109	Ol:M8300862
7	Body Cap Gasket (Round #1 T8300129)	\$28.53	Oct T8300111	Round T8300208
8	Cap Bolts & Nuts Set	\$28.53	R8300113	R8300113
9	Hose Nozzle	\$167.61	See Chart	See Chart
10	Hose Cap	\$108.87	See Chart	See Chart
10A	Hose Cap Gasket	\$8.16	T8107473	
11	Stem Extension	\$450.87	OL: F8300119 OR F8300444	OL: F8300119 OR F8300444
12	Stem Extension Pins Set	\$21.50	F8300121	
13	Body 2H1P	\$1,597.92	Oct M8305081	-
14	Body Bolts & Nuts	\$5.93	T81000003 / T8100043	T81000003 / T8100043
15	Body Gasket	\$28.53	T8300129	T8300208
16	Lower Barrel 6'0" Bury	\$1,826.19		
17	Main Valve Stem 6'0" Bury	\$370.95	M8300319	M8300319
18	Drip Valve Assembly	\$445.19	F8300137	F8300138
19	Main Valve Seat	\$699.03	F8300140	F8300141
19A	Main Valve Seat "O" Ring	\$16.34	T8200616	-
21	Main Valve Rubber -Buna	\$105.74	M8301209 / M8301335	T8100444
22	Main Valve Washer	\$48.54	M8300150	M8100932
23	Main Valve Lock Nut Set	\$188.51	R8300152	
24	Cotter Pin	\$8.90	T8100139	
25	Weatherproof Cap Screw	\$14.33	T8300156	
25A	Oil Hole Screw	\$13.61	T8100131	
26	Pumper Cap	\$196.19	See Chart	See Chart
26A	Pumper Cap Gasket	\$17.79		
27	Pumper Nozzle	\$425.33	See Chart	See Chart
27A	Pumper Nozzle "O" Ring	\$8.16	T8100214	T8100214
28	Interior Wrench	-		
29	Wrench Guide Plate	\$799.20	M8300943	
30	Packing	\$18.53		
31	Drip Valve Leathers & Screw	\$41.39	M8300405 / T8300407	M8300409 / T8300407
32	Stem Extension Coupling (Not Shown)	\$85.61	M8305174	M8305174

McAvity 9651 #1 & #2 Drawing



9651

BODY and MAIN VALVE UNIT COMPLETE

Page
| 17

MANUFACTURED FROM: 1919 to 1960 - Round & Octagonal body styles

CONVERSION KITS AVAILABLE - Currently Octagonal body style ONLY!

All removable parts can be upgraded - without excavating

All available parts shown above

WORLD 1 -4.25 " Main valve disc 6" ID lower pipe -No Conversion Available

WORLD 2 -5.25 "Main valve disc 7" ID lower pipe -Octagonal body Conversion Available (special MVS req'd)

1-1/8" square stem

Can be converted to the M67 Brigadier

McAvity 9658 Parts List

REF	DESCRIPTION	PRODUCT CODE 4"	PRODUCT CODE 5"
1	Weather Cap Locknut	-	-
2	Weather Cap	1-1/4SQ I8300192	7/8-5 I8300803 / 1"-5 I8300896
3&5	Cover S/W Studs & Nuts	-	-
4	Gland	M8300106	
6&7	Packing Plate Studs & Nuts Set	-	-
8	Packing Plate	M8300110	M8300110
9	Body Cover	M8300306	M8300306
10	Packing Plate Gasket	T8300116	T8300116
11	Operating Sleeve	F8300118	F8300118
12	Upper Barrel 2H1P	M8300123	M8101573
	Upper Barrel 2H (6-Hole)	M8300120	M8301503
13	Stem 6'0" Bury		
14	Body Bolts & Nuts	T8100043	T8100003 / T8100043
15	Body Gasket	T8300129	T8300208
17	Stem Extension Pin Set	EA M8300136	M8300136
18	Stem Extension	O/L 4TPI F8301260 O/L 5TPI F8300139	O/L F8300219
20	Gate Piece	I8300145	-
21	Gate Rubber	T8301272	T8300149
23	Gate Plate	F8300153	NO LONGER AVAILABLE
24	Gate Plate Nut	F8300187	
25	Wedge Nut New Style	5TPI F8300155	F8300220
	Wedge Nut Old Style	4TPI F8301177	4 TPI F8301197
26	Drip Piece Locknut	F8300157	F8300306
27	Drip Piece	F8300159	F8300917
28	Drip Piece Pin	F8300185	
29	Drip Washer	F8300161	F8300161
31	Drip Bolt	F8300165	F8300165
32	Drip Nut	F8300167	F8300167
33	Hose Nozzle		
34	Hose Cap	1-1/4" AA OCT M8301118	
	** Same as M67 Threaded		
34a	Hose Cap Gasket		
35	Pumper Nozzle		
36	Pumper Cap		
36a	Pumper Cap Gasket		
37	Drip Valve Rubber	T8300177	T8300177
39	Gate Plate Rubber	M8300181	M8300181
40	Body Cap "O" Ring		
41	Body Cap Bolts & Nuts		
42	Operating Sleeve "O" Ring	T8100205	T8100205
43	Body Cap Gasket	T8300208	T8300208
44	Nozzle Pin		
45	Hose Nozzle "O" Ring		
46	Pumper Nozzle "O" Ring		
47	Packing		
#11 Operating Sleeve "O" Ring Version F8300892		Contact Sales for Availability of Parts Not Listed	

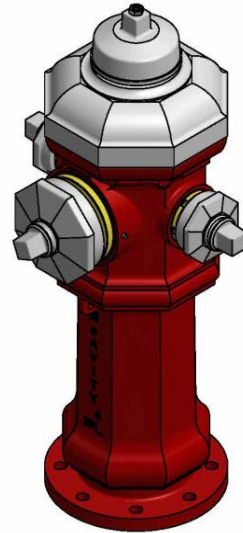
McAvity 9658 Drawing



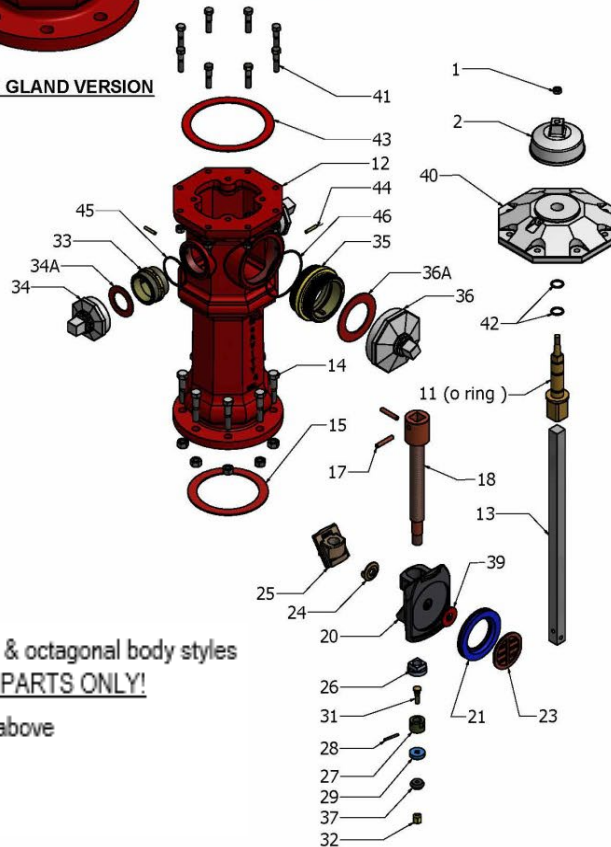
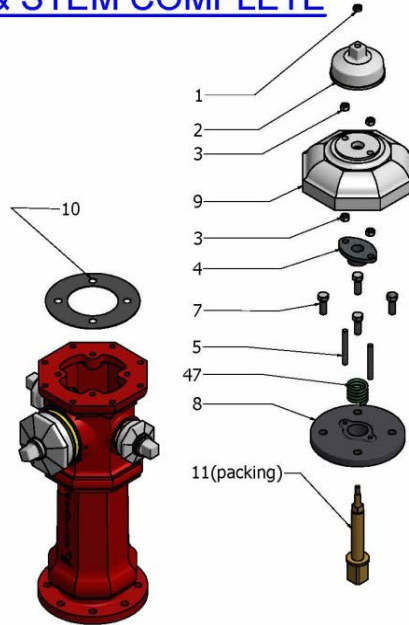
9658
BODY & STEM COMPLETE



"O" RING VERSION



PACKING GLAND VERSION



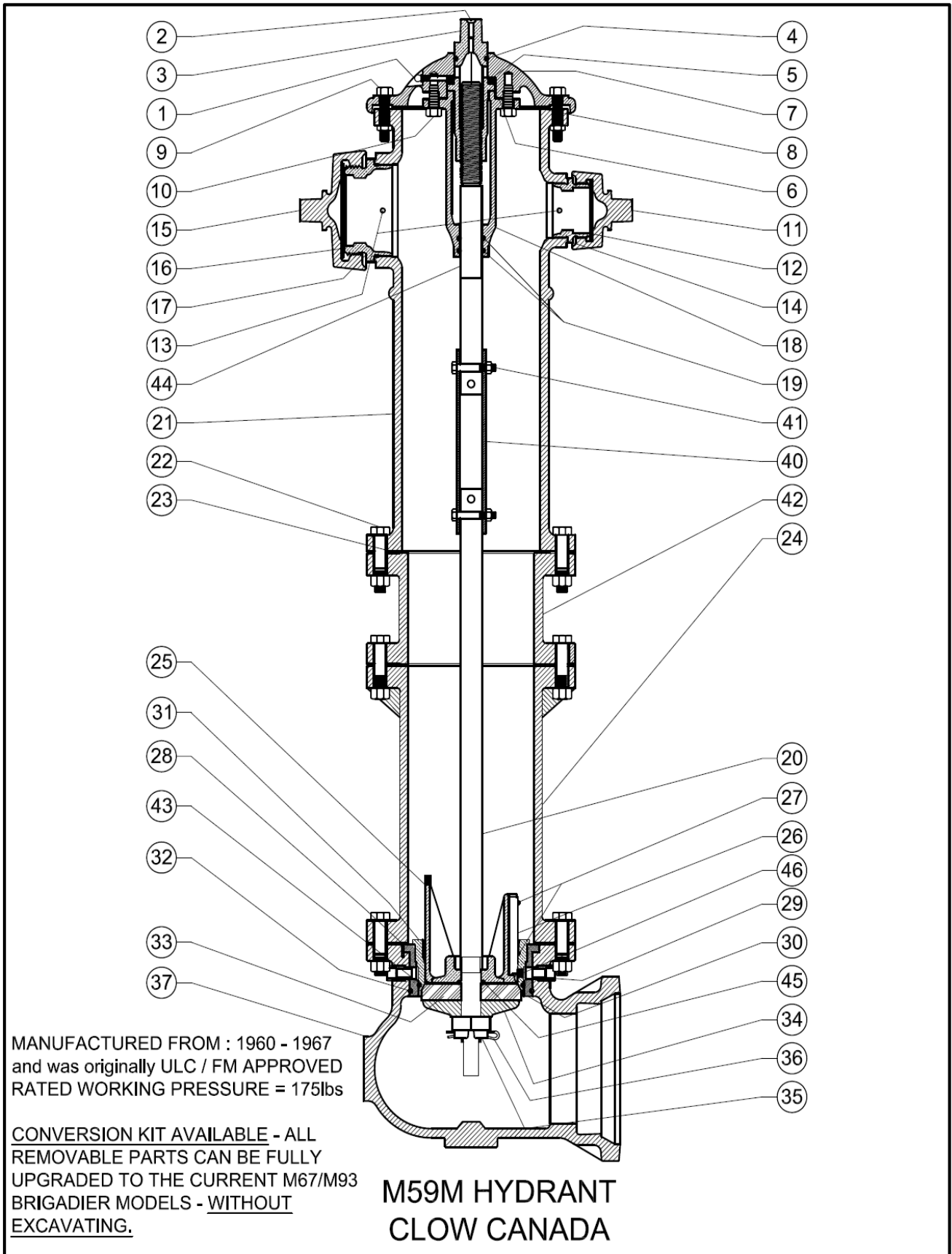
MANUFACTURED FROM: 1930 to 1960 - round & octagonal body styles
NO CONVERSION KITS AVAILABLE - REPAIR PARTS ONLY!

Contact Sales for availability of parts not shown above
 5" Main valve disc 7" ID lower pipe
 4" Main valve disc 6" ID lower pipe

McAvity M59M Parts List

REF	DESCRIPTION	PRODUCT CODE
1	Grease Fitting	T8300325
2	Oil Hole Screw	T8100131
3	Discontinued See Part # 64	Not Available
4	Operating Nut "O" Ring	T8100210
5	Delrin Bearing	T8107035
6	Housing Joint Gasket	T8107782
7	Body Cap	M8300856 Oct M8300147
8	Body Cap Gasket	T8300208
9	Body Cap Nuts & Bolts	R8301270
10	Housing Cap Screw	T8100032
11	Hose Nozzle Cap	See Chart
12	Hose Cap Gasket	T8107473
13	Nozzle Pin	F8100942
14	Hose Nozzle	See Chart
15	Pumper Cap	See Chart
16	Pumper Cap Gasket	SM T8100243
17	Pumper Nozzle	See Chart
18	Discontinued See Part #6&63 (Aka Cone)	
19	Housing Stem "O" Ring	T8100207
20	Main Valve Stem 6'0" Bury	A8300867
21	Upper Barrel	M8300853 Oct
22	Intersection Bolts & Nuts	R8103201
23	Intersection Gasket	T8100240
24	Lower Barrel 6'6" Bury	
25	Drip Valve Complete	F8100947
26	Drip Valve Facing	M8300409
27	Holding Clamp Screw	T8300407
29	Drain Hole Lining	1-13/32" T8100438 1-19/32" T8105965
30	Seat Ring / Casing	Not Available
31	Main Valve Seat	F8100933
32	Seat Casing "O" Ring	Not Available
32a	Upper Seat "O" Ring (Not Shown)	T8100219
33	Main Valve Rubber -Buna	T8100444 / Poly T8100445
34	Main Valve Washer	M8100932
35	Main Valve Locknut	F8100934
36	Cotter Pin	T8100139
37	Inlet Boot	See Table
43	Lower Seat "O" Ring	T8100218
45	Main Valve "O" Ring	T8100206
46	Drain Hole Plug 3/8 Brass	T8100921
	Internal Plug 1/4	T8100922

McAvity M59M Drawing



Bibby Sentinel - Parts List

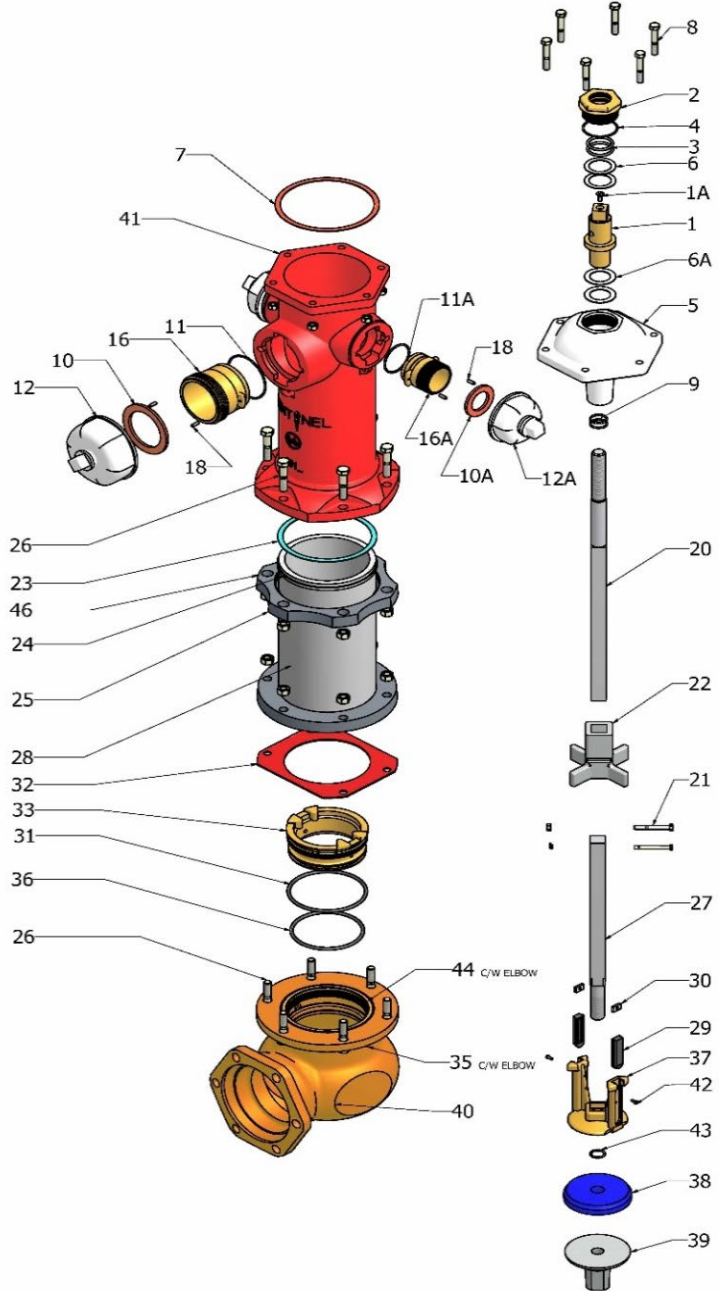
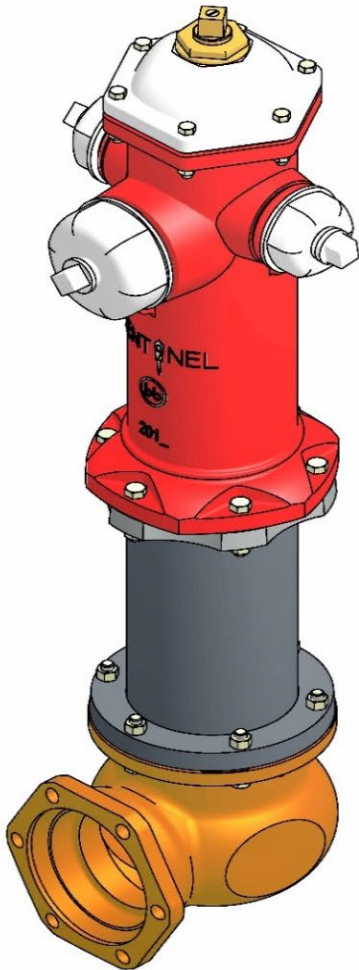
REF	DESCRIPTION	PROUDCT CODE
1	Operating Nut	O/L: F8202897 / O/R: TBA
1A	Oil Hole Screw	T8100131
2	Hold-Down Nut	F8202902
3	Hold-Down Nut "O" Ring (I.D)	T8100224
4	Hold-Down Nut "O" Ring (O.D)	T8100214
5	Top Cap	O/L M8202906 / O/R M8203074
6	Thrust Washer Top	T8202903
6A	Thrust Washer Bottom	T8202904
7	Top Cap Gasket	T8202906
8	Top Cap Bolts & Nuts	T8202934 / T8100002
9	Top Cap "O" Rings	T8100207
10	Pumper Cap Gasket	4" T8202919 / 4-1/2" T8202920
10A	Hose Cap Gasket	T8202921
11	Pumper Nozzle "O" Ring	4" T8200614
11A	Hose Nozzle "O" Ring	T8100214
12	Pumper Cap	-
	Pumper Cap Storz	-
12A	Hose Cap	-
13	Sleeve	-
15	Hose Cap Hook	
16	Pumper Nozzle	-
	Pumper Nozzle Storz	-
16A	Hose Nozzle	-
18	Hose & Pumper Nozzle Set Screw	T8200607
19	S-Hook	-
20	Upper Stem	O/L A8202910 / O/R A8203076
21	Coupling Bolts and Nuts	R8203888
22	Safety Coupling	M8202908
23	Body Gasket	T8200581
24	Flange Lock Ring	M8200441 - New # M8203029 - Old #
25	Break Flange	M8200476 - New # M8202909 - Old #
26	Intersection Bolts and Nuts	T8100016 / T8100072
27	Lower Stem 6'0"Bury	
28	Intermediate Section 6'0" Bury	M8203457
29	Drain Valve Facing	T8100443
30	Holding Clamp (Retainer)	T8100442
31	Main Valve Seat Upper "O" Ring	T8200588
32	Lower Barrel Gasket	T8202907
33	Main Valve Seat	F8202912
	Drain Plug 1/4 or 3/8	1/4 T8202923 / 3/8 T8100480
34	Bolt & Nut	T8100024 / T8100003
35	Drain Hole Liner	
36	Main Valve Seat Lower O Ring	T8200589
37	Drain Valve	F8202914
38	Main Valve Disc	T8100445
39	Lower Valve Plate	M8202924
40	Elbow	
41	Upper Body 2H1P	4" M8202880 / 4-1/2"-TBA
42	Machine Screws	T8100133
43	Main Valve "O" Ring	T8100206
44	Seat Ring	F8105154
46	Floating Flange	M8200302

Bibby Sentinel Drawing



BIBBY SENTINEL

FM & ULC APPROVED



HYDRANT PARTS

Pumper Nozzles & Pumper Caps for any Clow Hydrant with Threaded Body Nozzle Connections

Fits M67 / M93 / Monitor Brigadier – McAvity M67 – D67M Premier – M59M – McAvity 9658 & 9651

LETTER CODE		NOZZLE PART'S NUMBER	PUMPER CAP 1-1/4"SQ	PUMPER CAP 1" - 5	PUMPER CAP 7/8" - 5	PUMPER CAP 1 - 1/2"-TRI.
AD		F8105526		M8105527		
AJ		F8101200	M8104926			
BD		F8201795		M8202159		
BE		F8100901	M8101384			
BF		F8100896	M8101374			
CD		F8101196	M8101401			
DG		F8101182	M8101358			
DH		F8104355	M8104356			
ED		F8100906	M8101403		M8300541	M8105835
EF	BC STD	F8100897	M8101375	M8101376		
EG		F8105428	M8101360			
FD		F8100907	M8101404	M8300379	M8101407	M8101406
FE		F8101187	M8106000		M8105463	
GD		F8100908				
HD		F8101197	M8101409			
HE	REGINA	F8101188	M8101388		M8104903	M8105424
JF	WEST CANADA (MB/SK/AB)	F8100898	M8101377		M8101378	M8105014
KD		F8100909	M8101410		M8105384	
KE		F8101189	M8101389			
KF		F8100899	M8101379			
LE		F8100902	M8101390	M8105280		
MF		F8105246		M8105247		
ND		F8105528	M8105529			
OD		F8100910	M8101413			
OH	SASKATOON	F8101181	M8101357		M8105170	M8104907
PD	EDM. / OTTAWA	F8101198	M8101415	M8101418	M8104518	M8101417
PE		F8101190				
PF		F8100900	M8101382			
SD	NATIONAL STANDARD PUMPER	F8100911	M8101420	M8101427	M8101425	M8104970
SF		F8101184	M8101383		M8105435	
VD		F8100912	M8101428			
VE		F8100904	M8101394	M8101396		
VH		F8104911		M8104910		
WD	CALGARY	F8100913	M8101430			
YE		F8100905	M8106043			
PUMPER NOZZLE STORZ						
ZG 4"		F8100895	M8101364	M8101373	M8101371	M8101367
ZI		M8200299	M8200309	M8200311		M8200312
ZH 5"		F8105734	T8105787	T8105850	T8105843	T8105938

Hose Nozzles & Caps

Fits M67 / M93 / Monitor Brigadier – McAvity M67 – D67M Premier – M59M – McAvity 9658 & 9651

LETTER CODE	HOSE NOZZLE PART NUMBER	HOSE CAP 1 1/4"SQ	HOSE CAP 1"-5	HOSE CAP 7/8"-5	HOSE CAP 1 1/2"-3	HOSE CAP 1 3/8"SQ
A	F8101523	M8100987	M8100988		M8101307	
AA	F8101531	M8100997				
B	F8104749	M8104750	M8104882	M8104881	M8104883	
BB	F8104315	M8104316				
CC	F8101532	M8100998	M8101333	M8100999	M8104969	
D	F8101524	M8100990	M8100993			
E	F8101525	M8101315		M8101317		
F	F8101526		M8100995			
JJ	F8101533	M8101000	M8101337			
LL	F8101534	M8101339				
NN	F8101535	M8104339	M8104921	M8101340	M8104905	
SB	F8107791					M8107790
SS	F8101536	ONTARIO:M8101342 SNOFL: M8101343	M8101344	M8104957	M8300361	
TT	F8101537	M8101345	M8101349			M8107476
VV	F8101538	M8101350	M8101354	M8105413		M8101351
Y	F8101529	M8101324				
Z	F8101530	M8101325		M8300403		
HOSE STORZ						
O	F8104261	M8104262	M8104271	M8104269	M8104265	M8104263

D67M / D67- Premier Variable Parts Options

D67M - PREMIER HYDRALUBE OPERATING NUT #59			LOWER STEM W/MAIN VALVE UNIT COMPLETE (Items 20,21,22,23,24,26,27,29,30,31,44&49)		
NUT SHAPE	OPEN LEFT P/N	OPEN RIGHT P/N	Product Code	Depth of Bury	
1-1/4" SQUARE	F8202731	F8202736	R8204597	6'	
1-1/2" 3 SIDED	F8202732	F8202737	R8204401	6'6"	
3/4" A/F PENTAGON	F8203450		R8204218	7'	
7/8 A/F PENTAGON	F8202734	F8202739		7'6"	
1" A/F PENTAGON	F8202735	F8202740	R8204591	8'	
			R8203709	8'6"	
			R8203823	9'	
			R8204076	9'6"	
			R8204026	10'	
			R8204592	10'6"	
				11'	
				11'6"	
			R8204515	12'	
D67M #44 / D67M PREMIER #44 LOWER STEM - ONLY			HYDRANTS MADE BEFORE 2019	HYDRANTS MADE AFTER 2019	DEPTH OF BURY
D67M 1 1/4" X 5'-11 1/8"Lg Lower Stem For 6' Bury			M8200357	M8204355	6'
D67M 1 1/4" X 6'-5 1/8"Lg Lower Stem For 6'6" Bury			M8200358	M8204356	6'6"
D67M 1 1/4" X 6'-11 1/8"Lg Lower Stem For 7' Bury			M8200359	M8204357	7'
D67M 1 1/4" X 7'-5 1/8"Lg Lower Stem For 7'6" Bury			M8200360	M8204358	7'6"
D67M 1 1/4" X 7'-11 1/8"Lg Lower Stem For 8' Bury			M8200361	M8204359	8'
D67M 1 1/4" X 8'-5 1/8"Lg Lower Stem For 8'-6" Bury			M8200362	M8204360	8'6"
D67M 1 1/4" X 8'-11 1/8"Lg Lower Stem For 9' Bury			M8200363	M8204361	9'
D67M 1 1/4" X 9'-5 1/8"Lg Lower Stem For 9'6" Bury			M8200364	M8204362	9'6"
D67M 1 1/4" X 9'-11 1/8"Lg Lower Stem For 10' Bury			M8200365	M8204363	10'
D67M 1 1/4" X 10'-5 1/8"Lg Lower Stem For 10'6" Bury			M8200366	M8204364	10'6"
D67M 1 1/4" X 10'-11 1/8"Lg Lower Stem For 11' Bury			M8200367	M8204365	11'
D67M 1 1/4" X 11'-5 1/8"Lg Lower Stem For 11'6" Bury			M8200368	M8204366	11'6"
D67M 1 1/4" X 11'-11 1/8"Lg Lower Stem For 12' Bury			M8200369	M8204367	12'
D67M #19 / D67M PREMIER #19 LOWER BARREL W/ FLANGES – ONLY			PRODUCT CODE	DEPTH OF BURY	
D67M 5'3 1/4" Lower Pipe			A8204234	6'	
D67M 6'9 1/4" Lower Pipe			A8204237	6'6"	
D67M 6'3 1/4" Lower Pipe			A8204236	7'	
D67M 7'9 1/4" Lower Pipe			A8204239	7'6"	
D67M 8'3 1/4" Lower Pipe			A8204240	8'	
D67M 8'9 1/4" Lower Pipe			A8204241	8'6"	
D67M 9'3 1/4" Lower Pipe			A8204242	9'	
D67M 9'9 1/4" Lower Pipe			A8204243	9'6"	
D67M 10'3 1/4" Lower Pipe			A8204244	10'	
D67M 10'9 1/4" Lower Pipe			A8204245	10'6"	
D67M 11'3 1/4" Lower Pipe			A8204246	11'	
D67M 11'9 1/4" Lower Pipe			A8204247	11'6"	
D67M 12'3 1/4" Lower Pipe			A8204248	12'	

M67 Brigadier / M67 Variable Parts Options


M67 BRIGADIER #64 / McAVITY M67 #64 HYDRALUBE OPERATING NUT			LOWER STEM COMP W/DRIP VL; MV SEAT & L. VL PLATE (Items 29,31,34,34a,35,38,39,40,42,48,66,67 & 68)	
NUT SHAPE	OPEN LEFT P/N	OPEN RIGHT P/N	PRODUCT CODE	DEPTH OF BURY
1-1/4" SQUARE	F8104760	F8104768	R8107966	3'6"
1-1/2" 3 SIDED	F8104761	F8104769	R8109013	4'
5/8" A/F PENTAGON	F8104762	F8104770	R8108444	4'6"
3/4" A/F PENTAGON	F8104763	F8104771		5'
7/8" A/F PENTAGON	F8104765	F8104773	R8105831	5'6"
1.00" A/F PENTAGON	F8104767	F8104775	R8105817	6'
			R8106356	6'6"
			R8108589	7'
			R8107017	7'6"
			R8107110	8'
			R8108452	8'6"
			R8108221	9'
			R8105645	9'6"
			R8107645	10'
				10'6"
			R8107648	11'
			R8108821	11'6"
			R8107704	12'

Page
| 27

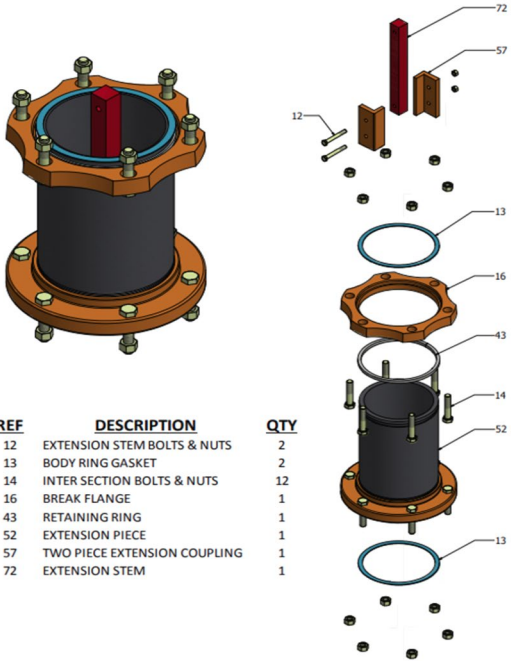
M67 BRIGADIER #29 / McAVITY M67 #29 LOWER STEM	PRODUCT CODE	DEPTH OF BURY
M67 Lower Stem 5ft 9-15/16"	M8106766	6'
M67 Lower Stem 6ft 3-15/16"	M8106767	6'6"
M67 Lower Stem 6ft 9-15/16"	M8106768	7'
M67 Lower Stem 7ft 3-15/16"	M8106769	7'6"
M67 Lower Stem 7ft 9-15/16"	M8106770	8'
M67 Lower Stem 8ft 3-15/16"	M8106771	8'6"
M67 Lower Stem 8ft 9-15/16"	M8108058	9'
M67 Lower Stem 9ft 3-15/16"	M8108059	9'6"
M67 Lower Stem 9ft 9-15/16"	M8108052	10'
M67 Lower Stem 10ft 3-15/16"	M8108025	10'6"
M67 Lower Stem 10ft 9-15/16"	M8108053	11'
M67 Lower Stem 11ft 3-15/16"	M8108054	11'6"
M67 Lower Stem 11ft 9-15/16"	M8108055	12'

M67 BRIGADIER / McAVITY M67 LOWER BARREL W/ FLANGES - ONLY	PRODUCT CODE	DEPTH OF BURY
M67 Pipe Comp. 5'3" For 6' Bury Ductile	A8104110	6'
M67 Pipe Comp. 5'9" For 6'6" Bury Ductile	A8104111	6'6"
M67 Pipe Comp. 6'3" For 7' Bury	A8104112	7'
M67 Pipe Comp. 6'9" For 7'6" Bury Ductile	A8104113	7'6"
M67 Pipe Comp. 7'3" For 8' Bury Ductile	A8104114	8'
M67 Pipe Comp. 7'9" For 8'6" Bury Ductile		8'6"
M67 Pipe Comp. 8'3" For 9' Bury Ductile	A8104116	9'
M67 Pipe Comp. 8'9" For 9'6" Bury Ductile	A8106413	9'6"
M67 Pipe Comp. 9'3" For 10' Bury Ductile	A8104118	10'
M67 Pipe Comp. 9'9" For 10'6" Bury Ductile		10'6"
M67 Pipe Comp. 10'3" For 11' Bury Ductile	A8106665	11'
M67 Pipe Comp. 10'9" For 11'6" Bury Ductile		11'6"


Fire Hydrants Extensions



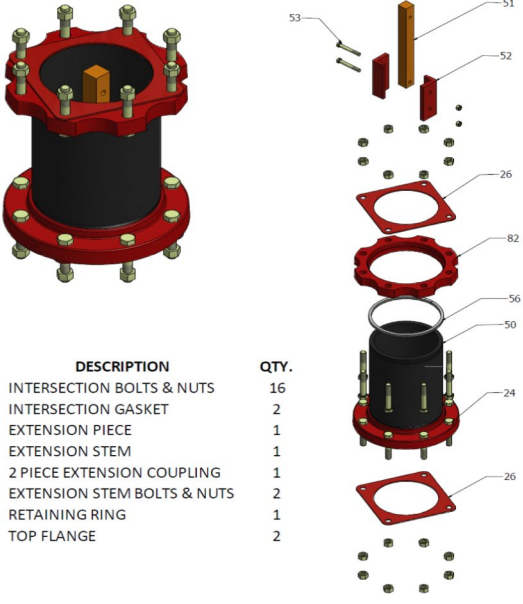
D67M
EXTENSION COMPLETE



REF	DESCRIPTION	QTY
12	EXTENSION STEM BOLTS & NUTS	2
13	BODY RING GASKET	2
14	INTER SECTION BOLTS & NUTS	12
16	BREAK FLANGE	1
43	RETAINING RING	1
52	EXTENSION PIECE	1
57	TWO PIECE EXTENSION COUPLING	1
72	EXTENSION STEM	1



M67B
EXTENSION COMPLETE



REF.	DESCRIPTION	QTY.
24	INTERSECTION BOLTS & NUTS	16
26	INTERSECTION GASKET	2
50	EXTENSION PIECE	1
51	EXTENSION STEM	1
52	2 PIECE EXTENSION COUPLING	1
53	EXTENSION STEM BOLTS & NUTS	2
56	RETAINING RING	1
82	TOP FLANGE	2

D67M Premier / D67M - Standard 6 Hole Extension			
SIZE	REGULAR	SS B&N	SS B&N -EPOXY
6"	R8202309	R8202752	R8204028
12"	R8202310	R8202753	R8204029
18"	R8202311	R8202754	R8204030
24"	R8202312	R8202755	R8204031
30"	R8202313	R8202756	R8204032
36"	R8202314	R8202757	R8204033
42"	R8202315	-	R8204034
48"	R8202316	R8202758	R8204035

M67 Brigadier / McAvity M67 / Heritage / Mon STD. 8 Hole Ext			
SIZE	REGULAR	SS B&N	SS B&N -EPOXY
6"	R8101492	R8104895	R8107618
12"	R8101493	R8104896	R8107619
18"	R8101494	R8104897	R8107620
24"	R8101495	R8104898	R8107621
30"	R8101496	R8105011	R8107622
36"	R8101497	R8104984	R8107623
42"	R8101498	R8105012	R8107624
48"	R8101499	R8105013	R8107625

Length	Barrel with Flanges	Stem & Coupling (Parts 51,52 & 53)	M67/M93/M67 BRIGADIER & D67M - P /D67M EXTENSION STEMS	
			M67	D67
6"	R8101207	R8101477	M8100948	M8202294
12"	R8101208	R8101478	M8100949	M8202295
18"	R8101209	R8101479	M8100950	M8202296
24"	R8101210	R8101480	M8100951	M8202297
30"	R8101211	R8101481	M8100952	M8202298
36"	R8100923	R8101482	M8100953	M8202299
42"	R8101212	R8101483	M8100954	M8202300
48"	R8101213	R8101484	M8100955	M8202300

Tools Required for Maintenance / Repairs

HYDRANT TOOL	HYDRANT TOOL USE	PART NUMBER
Operating Wrench	Clow hydrant operating wrench – fits all nut sizes on any fire hydrant.	T8100310
Seat Removal Tool	Clow Seat Removal Tool & Guide Plate for use on all McAvity hydrants dating back to 1967.	R8101516
Holding Nut	The Holding Nut is for use on all CLOW / McAvity hydrants dating back to 1967. The Holding nut must be ordered specifically for either LEFT- or RIGHT- hand open hydrants.	OL: F8101518 OR: F8101517
M67 Body Cap Wrench	Clow's Body Cap Wrench is for use on McAvity M67 fire hydrants with the treaded on bonnet	M8101541
Seat Thread Chaser	For use on Clow's hydrants	R8300267
Storz Pumper Removal Tool	Clow's Storz Pumper Nozzle Removal Tool is available for 4" & 5" Pumper Sizes. The tool is designed for use on Clow Hydrants with Storz Pumper connections.	4": R8103696 5": R8107510
Storz Nozzle Removal	Clow's Storz Hose Nozzle Removal Tool is available for 2.5" Storz Hose size.	R8105328
Maintenance Grease	Purity FG2 Synthetic grease is a food grade lubricant. Suited for Canadian climate.	T8106855
Hose Nozzle Wrench	Clow's standard Hose Nozzle Wrench fits all sizes	R8100915
Pumper Nozzle Wrench	Clow's standard Pumper Nozzle Wrench is available in 3 sizes. Size depends on letter code stamped on the pumper nozzle. Refer to grid below for letter reference.	S: R8100202 M: R8100916 L: R8100917

LARGE		MEDIUM				SMALL	
VH	NF	OH	EG	JF	KF	AH	CH
PF	SF	FE	GE	HE	KE	DH	GH
XE	YE	LE	ME	OE	PE	BF	BE
ND	OD	CD	ED	FD	GD	DE	AJ
PD	SD	HD	KD	DG	EF		
WD	YD	VE	MF	AD	BD		
VD							

Hydrants Kits and Conversion Kits

"O" Ring kits required for annual maintenance.

DESCRIPTION	PARTS USED IN KIT	PART NUMBER
M67 / M93 Brig. Upper "O" Ring & Gasket Kit	4,65,12,6,9,79,17,61lg,61sm	R8108129
M67 / M93 Brig. Lower "O" Ring & Gasket Kit	34,34a,35,38,68,79,26	R8108130
M67 Upper "O" Ring, Gasket & Screw Kit	9,12,6,15,4,10	R8108131
D67M-P Upper "O" Ring & Gasket Kit	2,5,7,9,36,65,36sm,36lg	R8204302
D67M-P Lower "O" Ring & Gasket Kit	25,27,30,24	R8204203

Page
| 30

Hydralube Operating Nut & Upper Stem Assembly / Conversion Kit

TO UPGRADE - M67/MONITOR / HERITAGE HYDRANTS MANUFACTURED BEFORE 1995		TO UPGRADE – CONCORD D67 & D67M HYDRANTS MANUFACTURED BEFORE 1995	
NUT SHAPE	PART NUMBER	NUT SHAPE	PART NUMBER
1-1/4"SQ OL	R8104869	1-1/4"SQ OL	R8202775
1"-5 OL	R8104870	1"-5 OL	R8203395
1-1/2"R-3 OL	R8104871	1-1/2"R-3 OL	R8202777
7/8"-5 OL	R8104887	7/8"-5 OL	R8202778
M67 consists of part numbers: 4/ 6/7/9/12/13/15/26/28/63/64/65/70 SEE BOM		D67 Concord consists of part numbers: 5/7/12/13/59/60/61/74 SEE BOM	

[Click here for Hydrant Operation & Maintenance Manual](#)

Inlets Complete

All inlets include standard epoxy coating and are supplied as Cast Iron ASTM A126

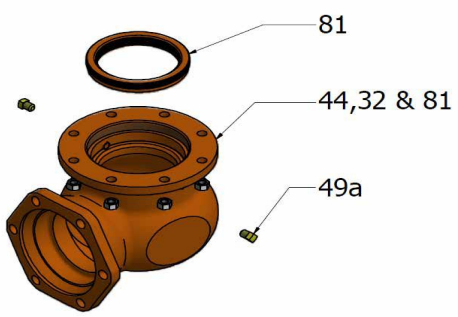
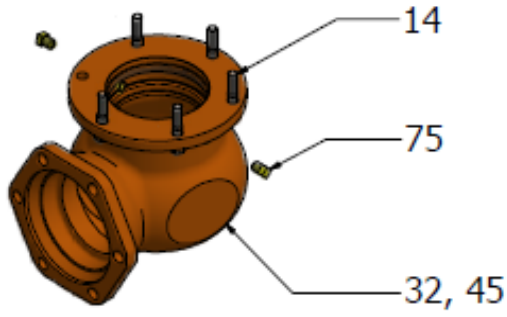
Ductile iron inlets priced on request

Plugs (# 49a / # 75 below) not included

(NOTE: D67M Premier Flanged inlet uses pressed in seat ring)

AVAILABLE INLET STYLES	AVAILABLE ON BRIGADIER ONLY	PART NUMBER
150mm (6") Mechanical Joint (ANSI A-21.11)		M67: A8100927 D67: M8200284
200mm (8") Mechanical Joint (ANSI A-21.11)	✓	M67: A8100928
150mm (6") flanged (ANSI B16.1 Class 125)		M67: A8100925 D67: A8200449
150mm (6") flanged (ANSI B16.1 Class 250)	✓	M67: A8105704 M67 Flat Face: A8107365
150mm (6") Tyton (AWWA C111/A21.11)		M67: A8100926 D67: M8200287
200mm (8") Online chamber flanged (ANSI B16.1 Class 125) - for (AWWA C110 – 08) tee	✓	M67: A8300286 M67 for Insulation Kit: A8105590
150mm (6") Online chamber flanged (ANSI B16.1 Class 125) - for (AWWA C110 – 08) tee	✓	M67: A8105313 M67 for Insulation Kit: A8105536

Inlets Drawing

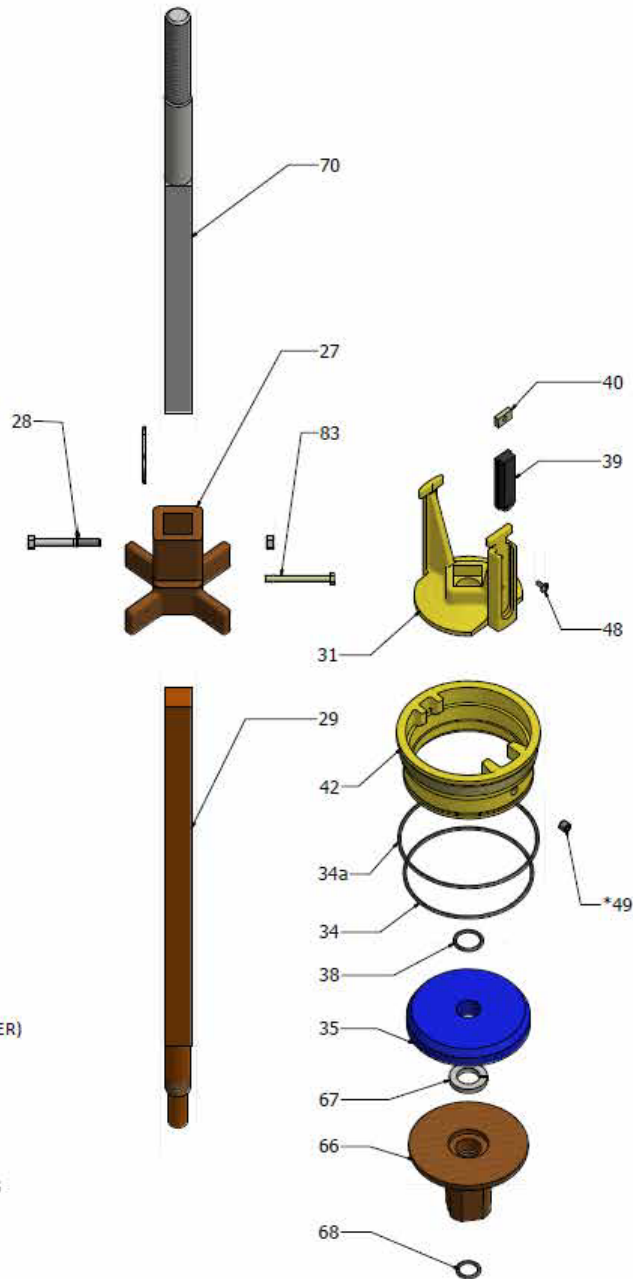
M67 / M93 INLET COMPLETE DRAWING	D67M / D67M PREMIER INLET COMPLETE DRAWING
	

M67B Upper & Lower Stem with Main Valve Kits Drawing

Assemblies below for current production hydrants only. Part number varies depending on depth of bury.



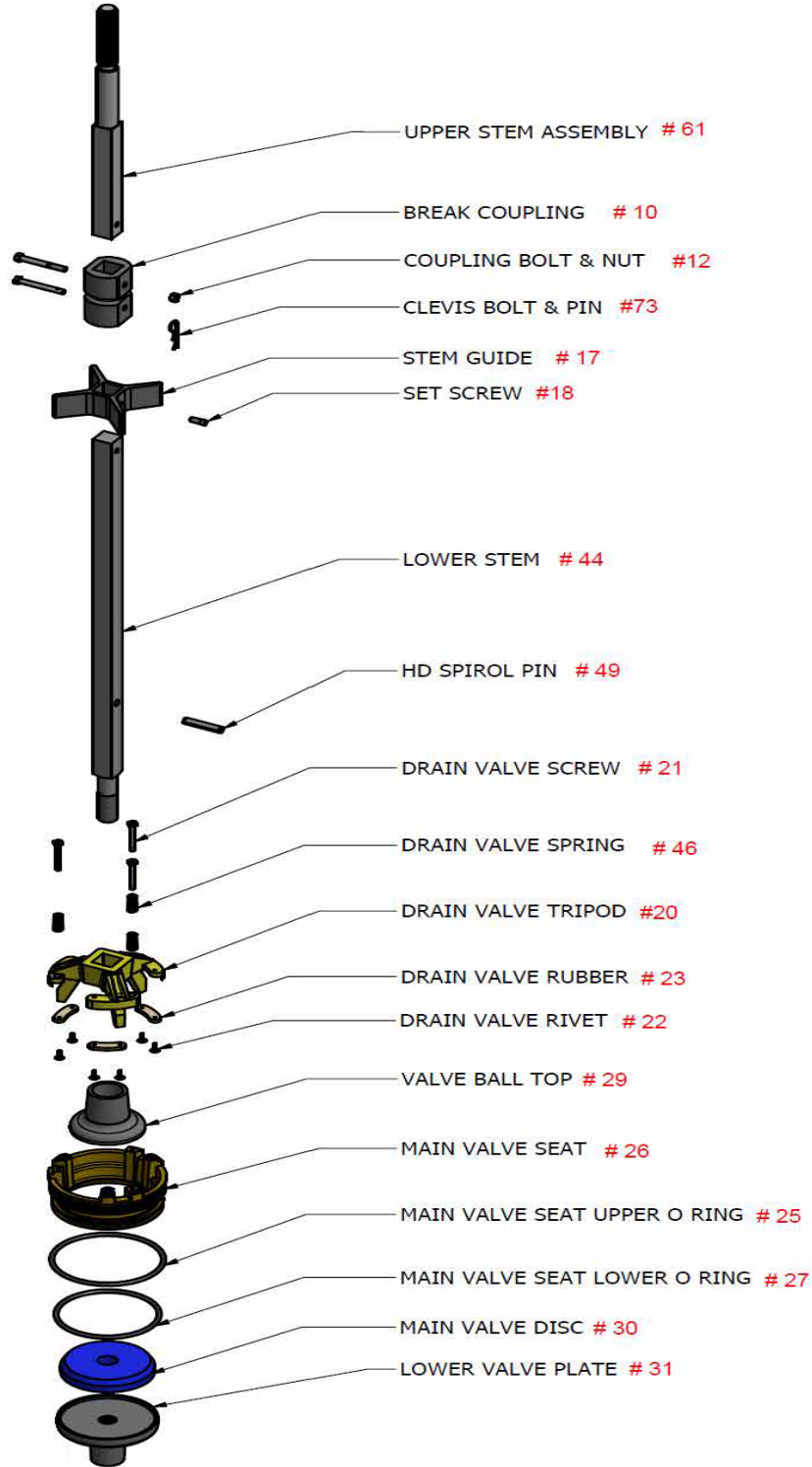
M67B UPPER & LOWER STEM W/MAIN VALVE UNIT COMPLETE



REF#	DESCRIPTION
27	SAFETY COUPLING
28	SAFETY COUPLING BOLT & NUT
29	OPERATING STEM LOWER
31	DRIP VALVE
34	SEAT "O" RING BOTTOM
34a	SEAT "O" RING TOP
35	MAIN VALVE DISC (POLY or BLACK RUBBER)
38	MAIN VALVE "O" RING
39	DRIP VALVE FACING
40	HOLDING CLAMP
42	MAIN VALVE SEAT
48	HOLDING CLAMP SCREW
49	OPTIONAL DRAIN INTERNAL DRAIN PLUG
66	LOWER VALVE PLATE
67	LOCKWASHER 1 1/8"
68	LOWER VALVE PLATE "O" RING
70	UPPER STEM
83	CLEVIS BOLT & PIN

D67M-P Upper & Lower Stem with Main Valve Kits Drawing

Assemblies below for current production hydrants only. Parts number varies depending on depth of bury.



**D67M-P UPPER & LOWER STEM ASSEMBLY
WITH MAIN VALVE UNIT**

Bonnet Assemblies Drawings – All Models for post 1967 Hydrants

Parts number varies depending on the operating nut size and opening orientation.

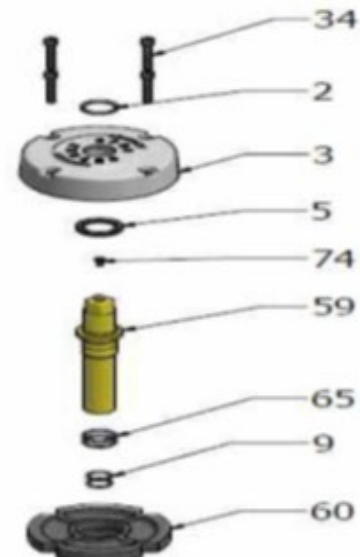
M67 / M93 Bolted Bonnet Complete - Item Description

77	Allen Screws or Hex Bolts	T8100149
7	Oil Hole Screw	T8100131
78	Body Cap	M8105175 OL
12	Operating Nut Bearing	T8107035
9	Operating Nut "O" Ring	T8100210
6	Housing Gasket	T8107782
64	Hydralube Operating Nut	Depends on specs
65	Operating Nut "O" Ring	T8100211
4	Housing Stem "O" Ring	T8100207
63	Operating Nut Gland	M8104776
13	Hex Bolt (1/2" x 1 1/4")	T8100032
79	Body Cap Gasket ** Not Shown **	T8200563



D67M Premier / D67M Bolted Bonnet Complete - Item Description

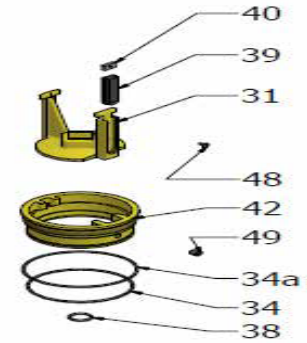
34	Bonnet Allen Screw	T8200594
2	Bonnet Operating Nut "O" Ring	T8100224
3	Bonnet	M8200233 OL
5	Operating Nut Bearing	T8107035
74	Oil Hole Screw	T8100131
7	Bonnet Gasket ** Not Shown **	T8200563
59	Hydralube Operating Nut	Depends on specs
65	Gland Operating Nut "O" Ring	T8100211
9	Housing Operating Nut "O" Ring	T8100207
60	Operating Nut Retaining Gland	M8202730



Drip Valve & Seat Complete

McAvery M67 & M93 Brigadier

ITEM #	P/N	DESCRIPTION
42	F8100933	M67 Main V Seat #42
31,39,40,48	F8100947	M67 Drip Valve Complete - Assembly
38	T8100206	"O" Ring #215 M67 Main Valve
34	T8100218	"O" Ring #254 M67 Seat Lower
34a	T8100219	"O" Ring M67 #258 Seat Upper
All Items in drawing	R8105458	Drip Valve & Seat Complete - Assembly



Concord D67M and D67M Premier

P/N	Description
Assembly P/N: R8203542	Drip Valve & Seat Complete (Part Number: 20,21,22,23,24,26,27&46)
Assembly P/N: A8202257	Drip Valve / Tripod Complete (Part Number: 20,22,23)

Traffic Repairs Kits – With & Without Upper Stem

McAvery M67 & M93 Brigadier

P/N	Description
R8101223 - Red R8106741 - Yellow	M67 /M67 & M93/ Brigadier - Traffic Repair Kit with Upper Stem
R8104148 - Red R8106742 -Yellow	M67 /M67 & M93/ Brigadier - Traffic Repair Kit without # 70 Upper Stem

Concord D67M and D67M Premier

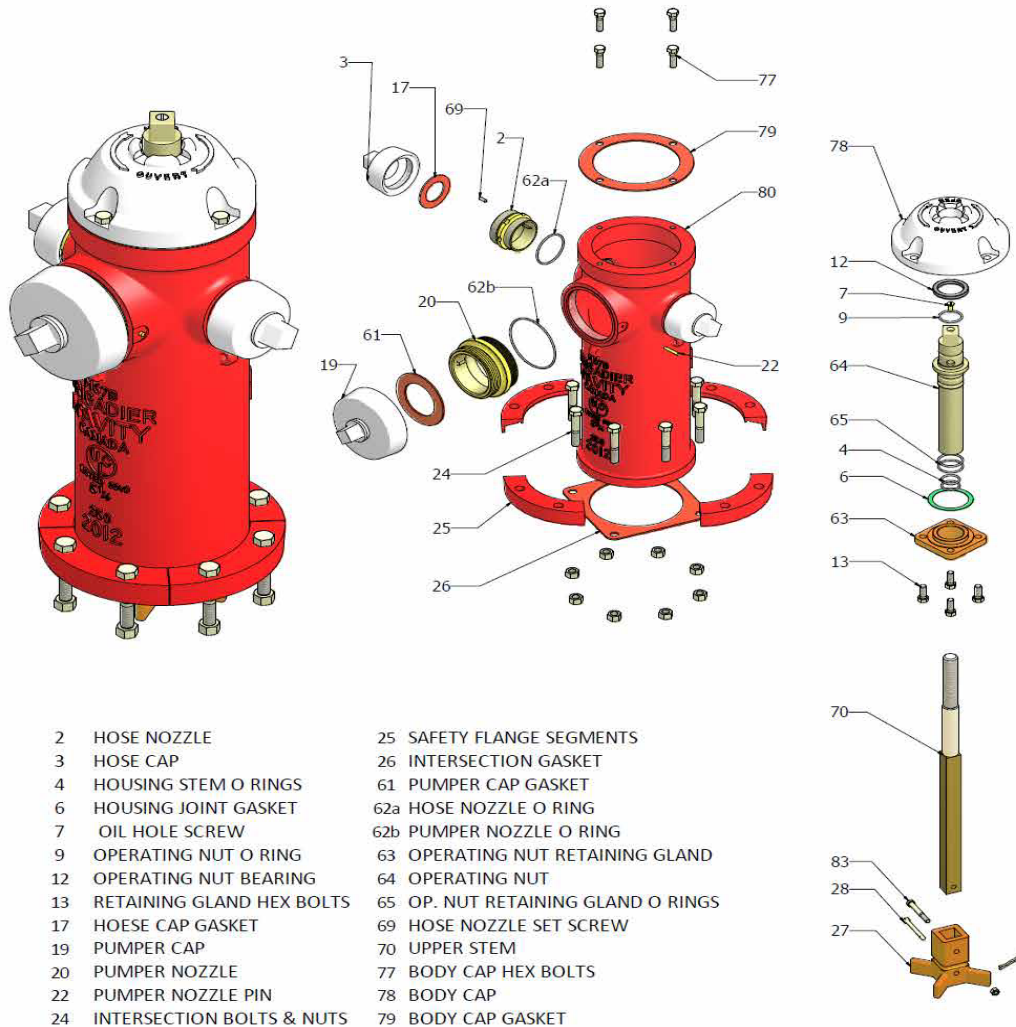
P/N	Description
Assembly P/N: R8203447	Assembly (With # 61 Upper Stem): R8203447 (Part Number: 10,12,13,14,16 & 61)
Assembly P/N: R8203438	Assembly (Without # 61 Upper Stem): R8203438 (Part Number: 10,12,13,14 & 16)

Upper Body Complete – All Models (Assembly below for current production hydrants)

Available styles	Available on Brigadier only
2 Hose Body complete	
2 Hose 1 Pumper Body complete	
2 Hose - 100 mm (4" Storz) Pumper Body complete	
2 Hose - 125 mm (5" Storz) Pumper Body complete	
2 Hose ONLY ** Monitor ** Body complete	✓
2 Hose 1 Pumper ** Monitor ** Body complete	✓
2 Hose 100 mm (4" Storz) Pumper ** Monitor ** Body complete	✓
2 Hose 125 mm (5" Storz) Pumper ** Monitor ** Body complete	✓



**M67B
BODY COMPLETE
WITH UPPER STEM**



- 2 HOSE NOZZLE
- 3 HOSE CAP
- 4 HOUSING STEM O RINGS
- 6 HOUSING JOINT GASKET
- 7 OIL HOLE SCREW
- 9 OPERATING NUT O RING
- 12 OPERATING NUT BEARING
- 13 RETAINING GLAND HEX BOLTS
- 17 HOESE CAP GASKET
- 19 PUMPER CAP
- 20 PUMPER NOZZLE
- 22 PUMPER NOZZLE PIN
- 24 INTERSECTION BOLTS & NUTS
- 25 SAFETY FLANGE SEGMENTS
- 26 INTERSECTION GASKET
- 61 PUMPER CAP GASKET
- 62a HOSE NOZZLE O RING
- 62b PUMPER NOZZLE O RING
- 63 OPERATING NUT RETAINING GLAND
- 64 OPERATING NUT
- 65 OP. NUT RETAINING GLAND O RINGS
- 69 HOSE NOZZLE SET SCREW
- 70 UPPER STEM
- 77 BODY CAP HEX BOLTS
- 78 BODY CAP
- 79 BODY CAP GASKET

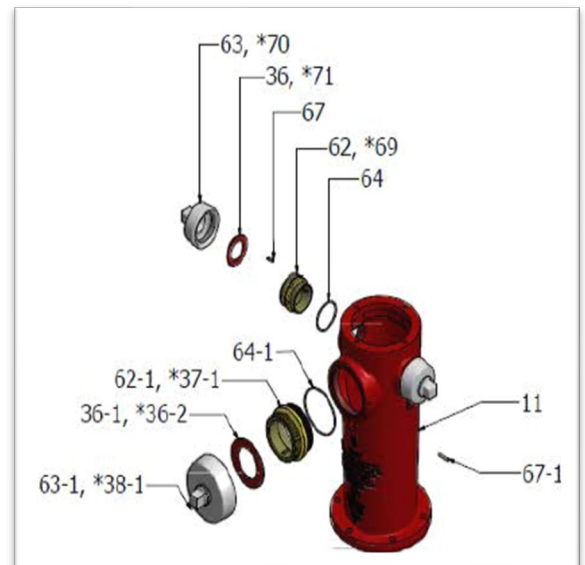
Fitted Upper Barrel (Assembly below for current production hydrants)

Available Styles	Available on Brigadier only
2 Hose Body W/brass & caps	
2 Hose 1 Pumper Body W/brass & caps	
2 Hose - 100 mm (4" Storz) Pumper Body W/brass & caps	
2 Hose - 125 mm (5" Storz) Pumper Body W/brass & caps	
2 Hose ONLY ** Monitor ** Body W/brass & caps	✓
2 Hose 1 Pumper ** Monitor ** Body W/brass & caps	✓
2 Hose 100 mm (4" Storz) Pumper ** Monitor ** Body W/brass & caps	✓
2 Hose 125 mm (5" Storz) Pumper ** Monitor ** Body W/brass & caps	✓

ITEM	DESCRIPTION
2	Hose Nozzle
3	Hose Nozzle Cap
	Hose Cap Gasket
*18	Storz 100 mm Pumper Cap "o" Ring
19	Pumper Nozzle Cap
20	Pumper Nozzle
22	Pumper Nozzle Pin
61	Pumper Cap Gasket
62a	Hose Nozzle "o" Ring
62b	Pumper Nozzle "o" Ring
69	Hose Nozzle Set Screw
*72	Storz 65 mm Hose Nozzle
*73	Storz 65 mm Hose Cap "o" Ring
*74	Storz 65 mm Hose Cap
*75	Storz 100 mm Pumper Nozzle
*76	Storz 100 mm Pumper Cap



ITEM	DESCRIPTION
2	Hose Nozzle
3	Hose Nozzle Cap
	Hose Cap Gasket
*18	Storz 100 mm Pumper Cap "o" Ring
19	Pumper Nozzle Cap
20	Pumper Nozzle
22	Pumper Nozzle Pin
61	Pumper Cap Gasket
62a	Hose Nozzle "o" Ring
62b	Pumper Nozzle "o" Ring
69	Hose Nozzle Set Screw
*72	Storz 65 mm Hose Nozzle
*73	Storz 65 mm Hose Cap "o" Ring
*74	Storz 65 mm Hose Cap
*75	Storz 100 mm Pumper Nozzle
*76	Storz 100 mm Pumper Cap



RESILIENT WEDGE GATE VALVES

Resilient Wedge Gate Valves - Product Codes Open Left

	F6100	F6106	F6112	F6113
	MJ x MJ less MJ acc.	FLG x MJ less acc.	PO x PO with PO gasket	FLG x PO with PO gasket
4	26390430117500	26390421117500	26390450117500	2639042H1175CW
6	26390630117500	26390621117500	26390650117500	2639062H1175CW
8	26390830117500	26390821117500	26390850117500	2639082H1175CW
10	26391030117500	26391021117500	26391050117500	2639102H1175CW
12	26391230117500	26391221117500	26391250117500	2639122H1175CW

	F6115	F6115	F6111	
	MJ x TAP less MJ acc.	PO x TAP with PO gasket	One end Over. less acc.	
4	26390431117500	2639042H1175CW	26390435117500	
6	26390631117500	2639062H1175CW	26390635117500	
8	26390831117500	2639082H1175CW	26390835117500	
10	26391031117500	2639102H1175CW	26391035117500	
12	26391231117500	2639122H1175CW	26391235117500	

	F6102	F6102H	F6110	F6103
	FLG x FLG Op nut	FLG x FLG Handwheel	PO x PVC	Threaded
2	26390220117500	263902201275CHW	26390256117500	26390260117500
2 ½	26392D20117500	26392D20127CHW	26392D56117500	26392D60117500
3	26390320117500	26390320127CHW	26390356117500	26390360117500
4	26390420117500	263904201275CHW	26390456117500	
6	26390620117500	263906201275CHW	26390656117500	
8	26390820117500	263908201275CHW	26390856117500	
10	26391020117500	263910201275CHW	26391056117500	
12	26391220117500	263912201275CHW	26391256117500	

Fire Protection – Product Codes

	OS&Y 8068	PIV Gate Valve 8071	PIV Gate Valve 8910	PIV Gate Valve 8701
	FLG x FLG	MJ	PO	FLG
2	29300220150000			
2 ½	29302D20150000			
3	29300320150000	263903301175CAP		263903201175CAP
4	29300420150000	263904301175CAP	263904501175CAP	263904201175CAP
6	29300620150000	263906301175CAP	263906501175CAP	263906201175CAP
8	29300820150000	263908301175CAP	263908501175CAP	263908201175CAP
10	29301020150000	263910301175CAP	263910501175CAP	263910201175CAP
12	29301220150000	263912301175CAP	263912501175CAP	263912201175CAP

Clow Resilient Wedge Gate Valve Parts 2" -4"

ITEM #	DESCRIPTION	PART # 2"	PART # 2 1/2"	PART # 3"	PART # 4"
R-1	Hold Down Bolt	T8105747	T8105747	T8105747	T8105747
R-2	Bolt Washer	T8100096	T8100096	T8100096	T8100096
R-3	OP Nut OL	I0800122	I0800122	I0800006	I0800006
	OP Nut OR	I0800009	I0800009	I0800102	I0800102
	Handwheel OL	I0800047	I0800047	I0800042	I0800042
	Handwheel OR	I0800188	I0800188	I0800190	I0800190
R-4	Follower Bolts	T0400338	T0400175	T0400338	T8100069
	Follower Nuts	T0400340	T0400340	T0400340	T8100016
R-5	Follower Plate 2640	M2401274	M2401274	M2401275	M2401254
R-6	Stem "O" Ring	T2401269	T2401269	T2401242	T8103905
R-7	Follower Plate "O" Ring	T2401270	T2401270	T8100225	T8100225
R-8	Thrust Washer	T0200674	T0200674	T0200179	T0200179
R-9	Stem OL (867)	F2202416	F2202882	F2202883	F2202422
	Stem OR (867)	F2202417	F2202927	F2202943	F2202423
R-10	Cover Bolts	T8100066	T8100066	T8100066	T8100066
	Cover Nuts	T8100015	T8100015	T8100015	T8100015
R-11	Cover	M0300968	M0300969	M0300947	M0301002
R-12	Stem Nut OL	F2300587	F2300587	F2300557	F2300557
	Stem Nut OR	F2300588	F2300588	F2300558	F2300558
R-13	Wedge	M0900411	M0900412	M0900413	M0900457
R-14	Cover "O" Ring	T2401271	T2401272	T2401273	T2401039
R-15	Body - Flange	M0103077	M0103078	M0103079	M0102024
	Body - MJ	M0103080		M0102030	M0102025

Clow Resilient Wedge Gate Valve Parts 6" -12"

ITEM #	DESCRIPTION	PART # 6"	PART # 8"	PART # 10"	PART # 12"
R-1	Hold Down Bolt	T8105518	T8105518	T8100065	T8100065
R-2	Bolt Washer	T8100097	T8100097	T8100097	T8100097
R-3	Op Nut OL	I0800105	I0800097	I0800100	I0800100
	Op Nut OR	I0800113	I0800108	I0800114	I0800114
	Hand Wheel OL	I0800091	I0800013	I0800017	I0800017
	Hand Wheel OR	I0800191	I0800192	I0800195	I0800195
R-4	Follower Bolts	T8100070	T8100070	T8200982	T8200982
	Follower Nuts	T8100016	T8100016	T8100018	T8100018
R-5	Follower Plate	M2401255	M2401265	M2401264	M2401264
R-6	Stem "O" Ring	T8100205	T8103906	T8100207	T8100207
R-7	Follower Plate "O" Ring	T2400197	T2400197	T2401004	T2401004
R-8	Thrust Washer	T0200216	T0200189	T0200191	T0200191
R-9	Stem OL (867)	F2202424	F2202426	F2202428	F2202430
	Stem OR (867)	F2202425	F2202427	F2202429	F2202431
R-10	Cover Bolts	T8100071	T8100072	T8104189	T8105233
	Cover Nuts	T8100016	T8100016	T8100016	T8100016
R-11	Cover	M0301003	M0301004	M0301005	M0301006
R-12	Stem Nut OL	F2300549	F2300555	F2300553	F2300553
	Stem Nut OR	F2300550	F2300556	F2300554	F2300554
R-13	Wedge	M0900458	M0900459	M0900417	M0900418
R-14	Cover "O" Ring	T2401012	T2401008	T2400992	T2400769
R-15	Body - Flange	M0101997	M0102022	M0102020	M0102018
	Body - MJ	M0103157	M0103158	M0102021	M0102019

Clow Resilient Wedge Gate Valve Parts 14" -16"

ITEM #	DESCRIPTION	PART # 14"	PART # 16"
R-1	Hold Down Bolt	T8100065	T8100065
R-2	Bolt Washer	T8100097	T8100097
R-3	Op Nut OL	I0800100	I0800100
	Op Nut OR	I0800114	I0800114
	Handwheel OL	I0800017	I0800017
	Handwheel OR	I0800195	I0800195
R-4	Follower Bolts	T0400905	T0400905
	and Nuts	T0400381	T0400381
R-5	Follower Plate	M2401316	M2401316
R-6	Stem "O" Ring	T2401279	T2401279
R-7	Follower Plate "O" Ring	T2401263	T2401263
R-8	Thrust Washer	T0200669	T0200669
R-9	Cover Bolts	T0400795	T0400795
	Cover Nuts	T0400409	T0400409
R-10	Stem OL	F2202910	F2202910
	Stem OR	F2202925	F2202925
R-12	Cover	M0300670	M0300670
R-13	Cover "O" Ring	T2401280	T2401280
R-14	Stem Nut OL	F2300593	F2300593
R-14	Stem Nut OR	F2300606	F2300606
R-15	Wedge	M0900442	M0900442
R-16	Body - Flange	M0102426	M0102228
	Body - MJ	M0102425	M0102227

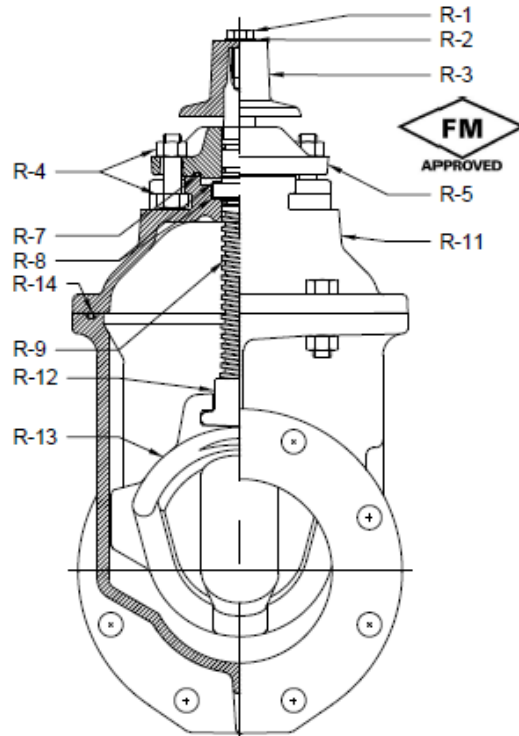
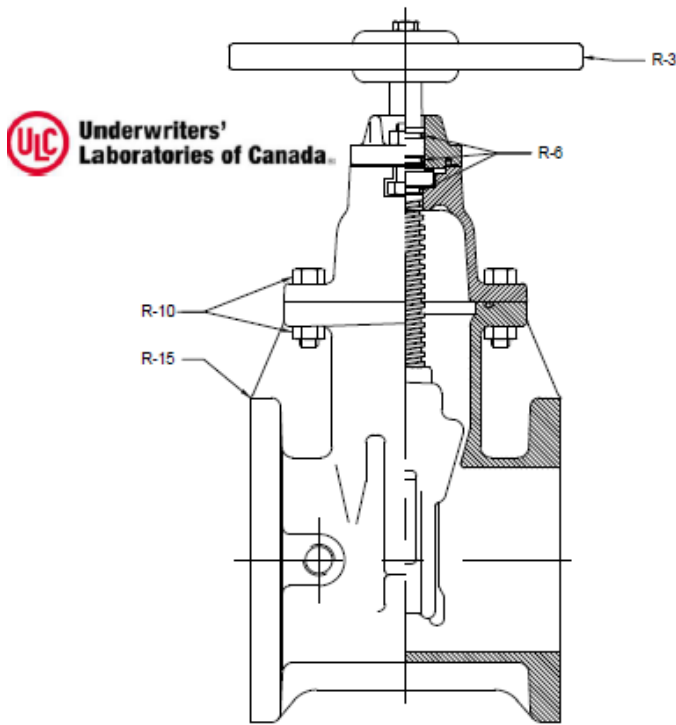
		Gear Operators	Gear Operators	14" - 36" Geared Valves 24" Diameter Handwheel	14" - 36" Geared Valves 2" Square Nut
Size	Size	Spur/Gear P/N	Bevel/Gear P/N		
14"	350mm	T1301206	T1301205	LHO: T0800751	LHO: T0800749
16"	400mm	T1301206	T1301205	RHO: T0800752	RHO: T0800750
18"	450mm	T1301208	T1301207		
20"	500mm	T1301208	T1301207		
24"	600mm	T1301208	T1301207		

Non-Rising Stem Resilient Wedge Gage Valve Rebuild Kits

DESCRIPTION	P/N
2" NRS RW GV Rebuild Kit	R8108017
2 1/2" NRS RW GV Rebuild Kit	R8108018
3" NRS RW GV Rebuild Kit	R8108019
4" NRS RW GV Rebuild Kit	R8108020
6" NRS RW GV Rebuild Kit	R8108021
8" NRS RW GV Rebuild Kit	R8108022
10" NRS RW GV Rebuild Kit	R8108023
12" NRS RW GV Rebuild Kit	R8108024

ITEM	KITS CONTENT	QTY
R6	Stem "O" Ring	3
R7	Follower Plate "O" Ring	1
R8	Thrust Washer	1
R14	Cover "O" Ring	1
R10	SS Bolts	4
R10	SS Nuts	4

Page
| 42



ITEM	DESCRIPTION	MATERIAL	ASTM SPEC.
R-1	HOLD DOWN BOLT	Stainless Steel	ASTM F 593
R-2	BOLT WASHER	Stainless Steel	ASTM F 593
R-3	OPERATING NUT or HANDWHEEL O/L or O/R	Gray Iron	ASTM A128 CI B
R-4	FOLLOWER BOLTS & NUTS	Stainless Steel	ASTM F 593
R-5	FOLLOWER PLATE 2640	Cast Iron	ASTM 128-B
R-6	STEM O-RING	Buna N	D 2000
R-7	FOLLOWER PLATE O-RING	Buna N	D 2000
R-8	THRUST WASHER	Delrin	DELRIN
R-9	STEM O/L or O/R (867)	Bronze	ASTM B584 C86700
R-10	COVER BOLTS & NUTS	Stainless Steel	ASTM F 593
R-11	COVER	Gray Iron/Ductile	ASTM 128-B/A538
R-12	STEM NUT O/L or O/R	Bronze	ASTM B584 C83800
R-13	WEDGE	Gray Iron & SBR/Ductile SBR	ASTM 128-B/A538
R-14	COVER O RING	Buna N	D 2000
R-15	BODY (ALL TYPES)	Gray Iron/Ductile	ASTM 128-B/A538

AWWA C504 Butterfly Valves

M&H Model 4500 Class 150B / EPDM on 304 SS Seat / 2" Nut or Handwheel / Fusion Epoxy

SIZE		FLANGED ENDS Indicating	FLANGED ENDS Non-Indicating	MJ X MJ ENDS
4"	Op Nut / OL	28450420130522	28450420130521	28450430130521
4"	Op Nut / OR	28450420730522	28450420730521	28450430730521
4"	HW / OL	28450420110522	28450420110521	
4"	HW /OR	28450420710522	28450420710521	
6"	Op Nut / OL	28450620130522	28450620130521	28450630130521
6"	Op Nut / OR	28450620730522	28450620730521	28450630730521
6"	HW / OL	28450620110522	28450620110521	
6"	HW /OR	28450620710522	28450620710521	
8"	Op Nut / OL	28450820130522	28450820130521	28450830130521
8"	Op Nut / OR	28450820730522	28450820730522	28450830730521
8"	HW / OL	28450820110522	28450820110521	
8"	HW /OR	28450820710522	28450820710521	
10"	Op Nut / OL	28451020130522	28451020130521	28451030130521
10"	Op Nut / OR	28451020730522	28451020730521	28451030730521
10"	HW / OL	28451020110522	28451020110521	
10"	HW /OR	28451020710522	28451020710521	
12"	Op Nut / OL	28451220130522	28451220130521	28451230130521
12"	Op Nut / OR	28451220730522	28451220730521	28451230730521
12"	HW / OL	28451220110522	28451220110521	
12"	HW /OR	28451220710522	28451220710521	
14"	Op Nut / OL	28451420130522	28451420130521	28451430130521
14"	Op Nut / OR	28451420730522	28451420730521	28451430730521
14"	HW / OL	28451420110522	28451420110521	
14"	HW /OR	28451420710522	28451420710521	
16"	Op Nut / OL	28451620130522	28451620130521	28451630130521
16"	Op Nut / OR	28451620730522	28451620730521	28451630730521
16"	HW / OL	28451620110522	28451620110521	
16"	HW /OR	28451620710522	28451620710521	
18"	Op Nut / OL	28451820130522	28451820130521	28451830130521
18"	Op Nut / OR	28451820730522	28451820730521	28451830730521
18"	HW / OL	28451820110522	28451820110521	
18"	HW /OR	28451820710522	28451820710521	
20"	Op Nut / OL	28452020130522	28452020130521	28452030130521
20"	Op Nut / OR	28452020730522	28452020730521	28452030730521
20"	HW / OL	28452020110522	28452020110521	
20"	HW /OR	28452020710522	28452020710521	
24"	Op Nut / OL	28452420130522	28452420130521	28452430130521
24"	Op Nut / OR	28452420730522	28452420730521	28452430730521
24"	HW / OL	28452420110522	28452420110521	
24"	HW /OR	28452420710522	28452420710521	

Services Boxes

SIZE #	STANDARD		STAINLESS / EPOXY		FOR	ROD
	D-1 BOX	D-2 BOX	D-1SS	D-2SS	BURY	LENGTH
2	003600101CT300	003600102CT300	003600101E0300	003600102E0300	2'0"-3'0"	12"
3	003600101CT350	003600102CT350	003600101E0350	003600102E0350	2'6"-3'6"	12"
4	003600101CT400	003600102CT400	003600101E0400	003600102E0400	3'0"-4'0"	24"
5	003600101CT450	003600102CT450	003600101E0450	003600102E0450	3'6"-4'6"	24"
6	003600101CT500	003600102CT500	003600101E0500	003600102E0500	4'0"-5'0"	36"
7	003600101CT550	003600102CT550	003600101E0550	003600102E0500	4'6"-5'6"	36"
8	003600101CT600	003600102CT600	003600101E0600	003600102E0600	5'0"-6'0"	48"
9	003600101CT650	003600102CT650	003600101E0650	003600102E0650	5'6"-6'6"	48"
10	003600101CT700	003600102CT700	003600101E0700	003600102E0700	6'0"-7'0"	60"
11	003600101CT750	003600102CT750	003600101E0750	003600102E0750	6'6"-7'6"	60"
12	003600101CT800	003600102CT800	003600101E0800	003600102E0800	7'0"-8'0"	72"
14	003600101CT900	003600102CT900	003600101E0900	003600102E0900	8'0"-9'0"	84"
16	003600101T1000		0036001011000		9'0"-10'0"	96"
18	003600101T1100		003600101E1100		10'-11'	96"

Services Boxes Rods – SS Pins

ROD LENGTH	T-5	T-4	T-2
12"	0036T5012SS000	0036T4012SS000	0036T2012SS000
24"	0036T5024SS000	0036T4024SS000	0036T2024SS000
36"	0036T5036SS000	0036T4036SS000	0036T2036SS000
48"	0036T5048SS000	0036T4048SS000	0036T2048SS000
60"	0036T5060SS000	0036T4060SS000	0036T2060SS000
72"	0036T5072SS000	0036T4072SS000	0036T2072SS000
84"	0036T5084SS000	0036T4084SS000	0036T2084SS000
96"	0036T5096SS000	0036T4096SS000	0036T2096SS000

Services Boxes Accessories

SERVICES BOX EXTENSIONS
C/W Male pipe thread & female socket and set screw

D18 - 1" FIXED LENGTH	6"	12"	18"	24"
	M8400623	M8400624	M8400625	M8400626
	30"	36"	42"	48"
	M8400627	M8400628		


D18A - 1 1/4" ADJUSTABLE	6"	12"	18"	24"
	M8400633	M8400634	M8400635	M8400636
	30"	36"	42"	48"


D12 COMBINATION KEYS	30"	48"	60"	72"
		A8400096	A8400099	A8400100
D13 STANDARD KEY	A8400103	A8400103	A8400103	A8400103
D19 DOUBLE KEY	5" X 5"	M8400133	10" X 10"	M8400134


D10	Regular Cover & Pentagon Plug	A8400222
D10F	Flat Cover - 2 Hole - Bronze Bushing	T8400232
D10A	Repair Cover with Set Screw & Plug	A8400247
D10D	1 1/4" Cover & Plug	A8400249
D10DR	1 1/4" Repair Cover with Set Screw & Plug	A8400250
D11	Bronze Plug, Pentagon or Hexagon	T8400235
D11FR	Frost Ring Washer	M8400212
D11CP	Brass Cotter Pin	T8100134
D11B1	Base For D-1 Box	T8400221
D11B2	Base For D-2 Box	T8400239
D17	Repair Coupling with Set Screws	M8400621
D17F	Repair Coupling MIP X FIP with Set Screw	M8400632
D14	Service Box Cleaner	R8400111

Service Boxes Drawing

CURB BOX LIDS


- 

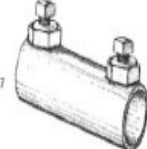
D-10 Regular ribbed cover and brass pentagon plug.
 - D-10A Ribbed repair cover c/w set screw and brass pentagon plug.
 - 


D-10D 1 1/4" ribbed cover and brass pentagon plug.
 - D-10DR 1 1/4" ribbed repair cover with set screw and brass pentagon plug.
 - 

D-10F Flat cover with 1" brass thread.
- NOTE: Brass hexagon plugs available on all models if specified.

CURB BOX PARTS


- 


D-11 Brass pentagon or hexagon plug (specify)
Frost ring washer
Brass or stainless steel cotter pin
Base for D-1, D-6, cast iron
Base for D-1P, D-6P, polyethylene
Base for D-2, D-7, cast iron
Base for D-8, cast iron.
- 

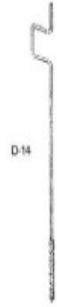
D-17 Standard repair coupling with two set screws.
- D-17F Repair coupling with one female end threaded and one end with set screw.
- 

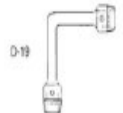
D-18 Extensions 1" male end threaded and female end with set screw.
Fixed length—1" pipe.
6, 12, 18, 24, 30, 36, 42, 48 inches.
- D-18A Same as above—1 1/4" pipe fully adjustable within each length.

SHUT OFF KEYS

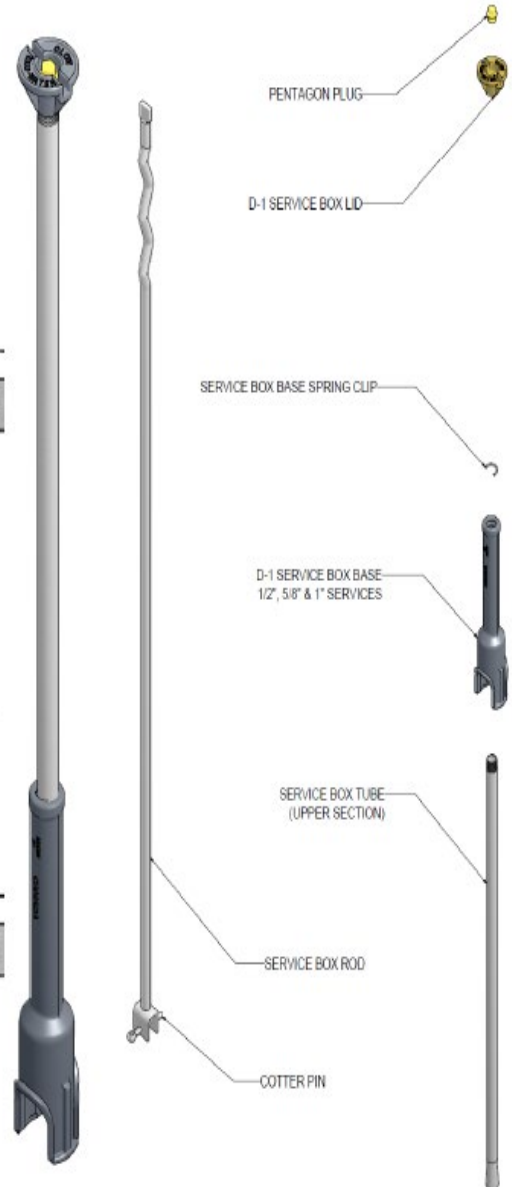
- 

D-12 Combination Key
For flat lids, pentagon or hexagon plugs
Standard sizes: 30", 48", 60", 72"
Longer sizes available upon request.
- 

D-13 Standard Key
Standard sizes: 30", 48", 60", 72"
Longer sizes available upon request.
- 

D-14 Service Box Cleaners
Eliminates digging up box to reach curb stop.
- 

D-19 Double Key
5" x 5" or 10" x 10"
Fits pentagon and hexagon plug.



300 Series Harness Style Restraints

300C RESTRAINER KITS

SIZE mm	Size	Regular - Clow P/N	SS - Clow P/N
100mm	4"	00371300C0400E	00371300C040SE
150mm	6"	00371300C0600E	00371300C060SE
200mm	8"	00371300C0800E	00371300C080SE
250mm	10"	00371300C1000E	00371300C100SE
300mm	12"	00371300C1200E	00371300C120SE
350mm	14"	00371300C1400E	00371300C140SE
400mm	16"	00371300C1600E	00371300C160SE
450mm	18"	00371300C1800E	00371300C180SE
500mm	20"	00371300C2000E	00371300C200SE
600mm	24"	00371300C2400E	00371300C240SE

Page
| 47

360C RESTRAINER KITS

SIZE mm	Size	Regular - Clow P/N	SS - Clow P/N
100mm	4"	00371360C0400E	00371360C040SE
150mm	6"	00371360C0600E	00371360C060SE
200mm	8"	00371360C0800E	00371360C080SE
250mm	10"	00371360C1000E	00371360C100SE
300mm	12"	00371360C1200E	00371360C120SE
350mm	14"	00371360C1400E	00371360C140SE
400mm	16"	00371360C1600E	00371360C160SE
450mm	18"	00371360C1800E	00371360C180SE
500mm	20"	00371360C2000E	00371360C200SE
600mm	24"	00371360C2400E	00371360C240SE

390C RESTRAINER KITS

SIZE mm	Size	Regular - Clow P/N	SS - Clow P/N
100mm	4"	00371390C0400E	00371390C040SE
150mm	6"	00371390C0600E	00371390C060SE
200mm	8"	00371390C0800E	00371390C080SE
250mm	10"	00371390C1000E	00371390C100SE
300mm	12"	00371390C1200E	00371390C120SE
350mm	14"	0037130C1400E	00371390C140SE
400mm	16"	00371390C1600E	00371390C160SE
450mm	18"	00371390C1800E	00371390C180SE
500mm	20"	00371390C2000E	00371390C200SE
600mm	24"	00371390C2400E	00371390C240SE

300 Series Harness Style Restraints – Product details

- 4" - 12" - 300 SERIES RESTRAINERS ARE:
 - EPOXY COATED FOR PVC PIPE WITH DUCTILE IRON O.D.
 - FM APPROVED (4" - 12" ONLY)
 - CERTIFIED TO UNIBELL B-13-92 AND ASTM FI 674-96
 - SUITABLE FOR C-900 & C-907 PVC PIPE

PRODUCT DETAILS 300			
4" - 12"	300 Small Diameter	14" - 24"	300 Large Diameter
PRODUCT DETAILS 360			
4" - 12"	360 Small Diameter	14" - 24"	360 Large Diameter
PRODUCT DETAILS 390			
4" - 12"	390 Small Diameter	14" - 24"	390 Large Diameter

300 Series Harness Style Restraint Rings Only

SIZE mm	Size	Clow P/N (STD. B&N)	Clow P/N (304SS B&N)
100mm	4"	A8401417	A8401561
150mm	6"	A8401418	A8401562
200mm	8"	A8401419	A8401563
250mm	10"	A8401420	A8401564
300mm	12"	A8401421	A8401565
350mm	14"	A8401422	A8401586
400mm	16"	A8401423	A8401587
450mm	18"	-	A8401588
500mm	20"	-	A8401589
600mm	24"	-	A8401590

360 Series Harness Style Restraint Rings Only

SIZE mm	Size	Clow P/N (STD. B&N)	Clow P/N (304SS B&N)
100mm	4"	A8401277	-
150mm	6"	A8401278	-
200mm	8"	A8401279	-
250mm	10"	A8401280	-
300mm	12"	A8401281	-
350mm	14"	A8401317	-
400mm	16"	A8401318	A8401654
450mm	18"	A8401319	-
500mm	20"	A8401521	A8401661
600mm	24"	-	A8401662

TUFgrip

TUFgrip Dual Wedge Mechanical Joint Restraint Gland Only

SIZE		CLOW P/N
100mm	4"	670610602000
150mm	6"	670610602005
200mm	8"	670610602010
250mm	10"	670610602015
300mm	12"	670610602020
350mm	14"	670610602025
400mm	16"	670610602030
450mm	18"	670610602035
500mm	20"	670610602040
600mm	24"	670610602045

TUFgrip Dual Wedge Mechanical Joint Restraint Complete Kit

SIZE		CLOW P/N
100mm	4"	670610602200
150mm	6"	670610602205
200mm	8"	670610602210
250mm	10"	670610602215
300mm	12"	670610602220
350mm	14"	670610602225
400mm	16"	670610602230
450mm	18"	670610602235
500mm	20"	670610602240
600mm	24"	670610602245

For Ductile or PVC Pipe:

[Tuff Grip Dual Wedge](#)

Series 40C Flange Adaptors for DUCTILE IRON PIPE

	SIZE	LIST PRICE
100mm	4"	\$132.23
150mm	6"	\$162.17
200mm	8"	\$204.57
250mm	10"	\$366.74
300mm	12"	\$431.60
350mm	14"	\$928.07
400mm	16"	\$1,170.06
450mm	18"	P.O.R.
500mm	20"	P.O.R.
600mm	24"	P.O.R.

Series 90C Flange Adaptors for PVC Pipe

	SIZE	LIST PRICE
100mm	4"	\$181.22
150mm	6"	\$232.02
200mm	8"	\$310.16
250mm	10"	\$479.69
300mm	12"	\$622.23

For Detailed Information: [Ductile Flange Adaptors](#)

For Detailed Information: [PVC Flange Adaptors](#)

D50 Sewer Saddles

	4" BRANCH		5" BRANCH		6" BRANCH	
	AC	PVC	PVC	AC	AC	PVC
"O" Ring Diameter	1/4"	13/32"	1/4"	13/32"	1/4"	13/32"
D50 for 8"-12" Main	0032D504081225	0032D504081240	0032D505081225	0032D505081240	0032D506081225	0032D506081240
D50 for 14"-20" Main	0032D504142025	0032D504142040	0032D505142025	0032D505142040	0032D506142025	0032D506142040
D50 Less Strap						0032D506000040

AC=
ASBESTOS
CEMENT

D50 Parts and "O" Rings

DESCRIPTION	P/N	BRANCH/"O" RING DIA.	P/N
SS Hex Bolt	T8202704	4" Outlet 1/4"	T8200791
Nut	T8200809	4" Outlet 5/16"	T8200792
Rocker Washer	T8200787	4" Outlet 13/32"	T8200793
T Head Rocker	T8200703	5" Outlet 1/4"	T8200794
45" SS Strap	T8200788	5" Outlet 5/16"	
72" SS Strap	T8200789	5" Outlet 13/32"	T8200795
100' Roll SS Strap	T8200790	6" Outlet 1/4"	T8200796
		6" Outlet 5/16"	T8200797
		6" Outlet 13/32"	T8200798

Detailed Product Information:

[Sewer Saddles](#)

Daig-O-Per Tapping Machine

D-73-1	3/4"&1"	Standard Machine Complete	
D-73-2	1-1/4" - 2"	Standard Machine Complete	
D-73-12		Both Standard Machines One Case	

Replacement Parts

REPLACEMENT PARTS					
D-73-1	P/N	D-73-2	P/N	DESCRIPTION	
#7301	R8201046	#7320	F8201050	Barrel	
#7302	M8201047	#7302	M8201047	Feed Tube	
#7303	R8201134	#7303	R8201134	Thrust Bearing & Plates	
#7304	F8201048	#7304	F8201048	Feed Tube Handle	
#7305	M8201049	#7305	M8201049	Stem Drive Nut	
#7306	M8201094	#7321	M8201051	Stem	
#7307	T8201136	#7322	T8100205	Ring	
#7308	T8201209	#7323	T8201211	Allen Screw	
#7309	T8201137	#7309	T8201137	"O" Ring	
#7310	T8201210	#7324	T8201212	Allen Key	
#7311	M8201096	#7311	M8201096	Wrench	
#7312	T8201138	#7312	T8201138	Ratchet	
#7314	T8201140	#7314	T8201140	Carry Case	
#7313	T8201139	#7313	T8201139	Socket	

Detailed Product Information:

PVC: [Daig-o-per PVC](#)
 DUCTILE: [Daig-o-per Ductile](#)

Daig-O-Per Tapping Machine and Parts Optional Equipment

FOR DRILLING DUCTILE

BLADES	CLOW P/N	SIZE
#7331	T8201141	3/4"
#7332	T8201142	1"
#7333	T8201143	1-1/4"
#7334	T8201146	1-1/2"
#7335	T8201144	2"
FEMALE ADAPTERS		
#7371	F8201054	3/4"
#7372	F8201106	1"
#7373	F8201055	1-1/4"
#7374	F8201107	1-1/2"
#7375	F8201056	2"
#7374MS	F8201108	1-1/2"
#7375MS	F8201109	2"
IPT MALE ADAPTERS		
#7351	F8201104	3/4"
#7352	F8201105	1"
#7353	F8201053	1-1/4"
#7354	F8201100	1-1/2"
WWT MALE ADAPTERS		
#7361	F8201052	3/4"
#7362	F8203600	1"
STEM EXTENSIONS		
#7386	M8201116	2-1/4"
#7387	M8201117	3-3/4"
#7388	M8201118	4-1/2"

FOR DRILLING PVC

CUTTER	CLOW P/N	SIZE
#7394	T8201147	3/4"
#7395	T8201148	1"
#7396	T8201149	1-1/4"
#7397	T8201150	1-1/2"
#7398	T8201151	2"
FEMALE ADAPTERS		
#7376	F8201057	3/4"
#7376L	F8202851	3/4"L
#7377	F8201110	1"
#7377L	F8202852	1"L
#7378	F8201111	1-1/4"
#7379	F8201058	1-1/2"
#7380	F8201059	2"
#7379MS	F8201113	1-1/2"
#7380MS	F8201114	2"

MS - used with compression main stops
L - long body used with short neck
saddles

PVC CONVERSION STEMS		
#7306-1	M8201095	3/4"&1"
#7321-1	M8201097	1-1/4&1-1/2"
#7385	M8201115	2"

Clow Canada ULC/FM Indicator Posts List

Indicator Posts 2945A

Kennedy / Clow 2945A (Bury Range B Through E) Telescoping Indicator Post (3 - 14" valve) ULC / FM approved

BURY CODE	160lbs / 71"	190lbs / 89"	219lbs / 107"	256 lbs / 137"
	B	C	D	E
	#2945410B701662	#2945410C701665	#2945410D701668	#2945410E701683

Bury = Distance from Bottom of Connecting Pipe to Finished Grade

Valve size	Bury Range (Ft / Metres)	Bury Range (Ft / Metres)	Bury Range (Ft / Metres)	Bury Range (Ft / Metres)
3"	2'5"-4'1" / 0.76-1.25	3'8"-5'6" / 1.16-1.7	5'4"-7'3" / 1.64-2.24	7'4"-9'4" / 2.25-2.86
4"	2'7"- 4'3" / 0.79- 1.30	4'0"- 5'8" / 1.23- 1.73	5'6"- 7'5" / 1.68- 2.28	7'6"- 9'6" / 2.29-2.9
6"	2'11"- 4'7" / 0.89- 1.40	4'5"- 6'1" / 1.32- 1.85	5'11"- 7'10" / 1.80- 2.40	7'11"- 9'11" / 2.41- 3.02
8"	3'4"- 5'0" / 1.02- 1.52	4'10"- 6'6" / 1.47- 1.98	6'4"- 8'3" / 1.93- 2.53	8'4"-10'4" / 2.54-3.15
10"	3'9"- 5'5" / 1.14- 1.65	5'3"- 6'11" / 1.60- 2.12	6'9"- 8'8" / 1.60- 2.66	8'9"- 10'8" / 2.67- 3.25
12"	4'1"- 5'9" / 1.24- 1.75	5'7"- 7'3" / 1.70- 2.21	7'1"- 9'0" / 2.16- 2.76	9'1"- 11'1" / 2.77- 3.38
14"	4' 10"-6'6" / 1.47- 1.98	6'4"-8'0" / 1.93-2.44	7'10"-9'9" / 2.39-2.98	9'10"-11'10" / 2.99- 3.6

BROCHURE: [ALL IND. POSTS](#)

PRODUCT DATA: [DRAWINGS](#)

SUPERVISORY: [DRAWINGS](#)

Contact Inside Sales for information on Heavy Duty Posts and Heavy-Duty Gear Indicator Posts and Consult link above for brochure.

McAVITY Indicator Posts Extensions

2945 A EXTENSIONS			2945 HD / HDG EXTENSIONS	
Bury	Complete P/N	Stem & Coupling P/N	Bury	Complete P/N
12"	R8101749	R8101726	12"	R8107209
18"	R8101750	R8101725	18"	R8107212
24"	R8101751	R8101721	24"	R8106153
30"	R8101752	R8101724	30"	
36"	R8101753	R8101727	36"	R8105402
42"	R8101754	R8101719	42"	R8105403
48"	R8101755	R8101718	48"	R8105156

Product Information: [IP extension instructions](#)**Post Indicator Parts**

PART #	QTY.	DESCRIPTION	P/N 2945A	USED ON HD	USED ON HDG
P-1	1	LOCKING WRENCH	I1800441	X	
P-2	1	OPERATING NUT	T2202487		
P-3	1	RETAINER "O" RING	T8100212		
P-4	1	TOP SECTION	T8190234		
P-5	1	WINDOW GLASS	T1800443		
P-6	1	OPEN TARGET	T1800105		
P-7	1	SHUT TARGET	T1800107		
P-8	1	TARGET CARRIER ASSEMBLY	R8106197		
P-9	1	1/2" NPT PIPE PLUG	T8100197	X	X
P-10	1	3/8" EYEBOLT	T8105363	X	X
P-11		3/8" - 16 X1" HEX CAPSCREW	T8100029	X	X
P-12	1	STEM 1" SQUARE			
P-13	1	COUPLING	M8105364	X	X
P-14	1	COTTER PIN	T8400438	X	X
P-15	2	3/4"HEX HEAD SCREW	T8100154	X	X
P-16	1	TELESCOPING BARREL	M8104479	X	X
P-17	1	LOWER STANDPIPE			
P-18	1	BASE FLANGE	T8104463	X	X
P-19	3	3/4" HEX HEAD SCREW		X	X
P-20	4	5/8" X 2 1/4" HEX CAPSCREW	T8100040	X	X
P-21	4	5/8" HEX NUT	T8100003	X	X
	1	TOP SECTION ASS. 1-15(exl.10,11&12)	T8105365		
		CAP & BODY COMPLETE	R8105656		