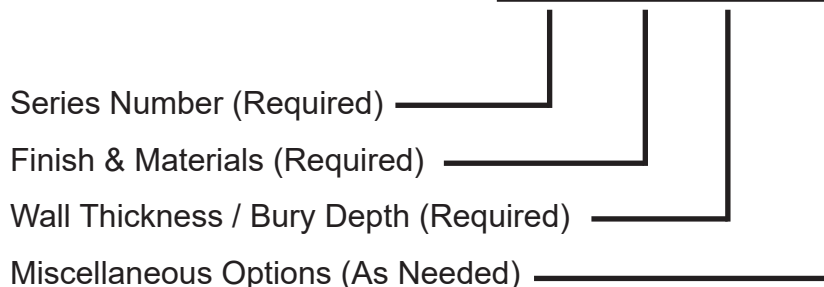


Index	
Application	Product Recommendation
Exposed Non Freeze Wall Hydrants	8600, 8601, 8604
Exposed, Mild Temp Wall Hydrants	8607, 8608
Concealed, Non Freeze Wall Hydrants	8700, 8701, 8704, 8706
Concealed, Mild Temp Wall Hydrants	8707, 8708, 8709
Dual Temp Wall Hydrants	8706
Ground Hydrants	8800, 8801
Post Hydrants	8900

## How To Specify

**8700-85-L12-87**



Wall & Ground Hydrants

### DEFINITIONS OF COMMON TERMS

#### ANTI-SIPHON

Feature in Enviro/Gard hydrants that protects against back siphonage. It is recommended that hose be disconnected from hydrant after use.

#### BACKFLOW

All Enviro/Gard hydrants are equipped with a backflow preventer. This device is designed to prevent the flow of water or other liquids, into the potable water supply from any source other than those intended.

#### BACK SIPHONAGE

A type of backflow caused by negative pressure in potable water supply piping. Both optional screw-on backflow preventers (vacuum breakers) and integral Enviro/Gard hydrant vacuum breakers protect against back siphonage.

#### MODERATE CLIMATE HYDRANTS

Hydrant that is not self-draining, nor does it have a remote shut-off, which is typically located in a wall or underground. These hydrants should only be used in areas where there is no danger of freezing.

#### NON-FREEZE (FROST PROOF) AUTOMATIC DRAINING HYDRANTS

Hydrants for the purpose of applying potable water to a hose connection without danger of freezing. Hydrant allows water remaining in exposed area to drain, thus reducing the possibility of freezing and damage to the hydrant.

#### VACUUM BREAKER

Type of backflow preventer used in hydrants to prevent contamination of potable water supply through back pressure or back siphonage.

#### VARI-TEMP OR MULTI-TEMP

Mixing hydrant that allows connection to both hot and cold supplies; thus it is used to supply tempered water.

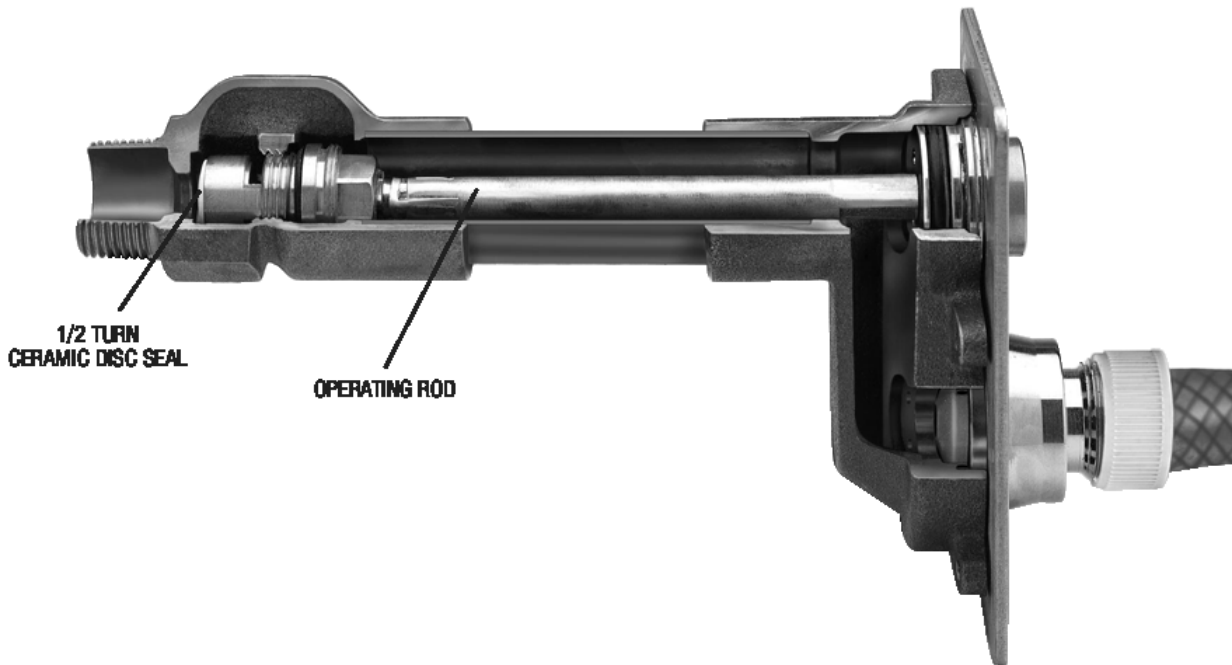
## Ceramic Disc Cartridge Hydrants

- Low noise level.
- All brass casing for durability.
- One-half turn operation.
- Capable of withstanding pressures of up to 130 psi.
- Easily Replaceable if repair is necessary.



Wade Ceramic Disk technology is available in the 8601, 8608, 8701, 8708 and 8709 Enviro/Gard wall hydrants. These hydrant models utilize a one-piece, modular cartridge designed for years of maintenance-free use and serviceability.

Note: Each ceramic disk cartridge utilizes a one-half turn operation. This is signified by a double-arrow symbol on the front of the hydrant faceplate displaying the words "1/2 Turn." The operating coupling should operate with very little resistance and should not be subjected to extreme torques when opening and closing the hydrant. Overtightening the operating coupling does not affect the shut-off of the hydrant and may result in damage of the operating rod or the ceramic cartridge assembly



HYDRANTS

8601 Ceramic Disc Wall Hydrant Performance			
Static Pressure (PSI)	Running Inlet Pressure (PSI)	Running Outlet Pressure (PSI)	Flow Rate (GPM)
10	6.1	0.0	2.6
20	14.8	0.0	4.3
30	24.3	0.5	5.6
40	33.1	0.9	6.5
50	42.3	1.4	7.3
60	49.7	1.7	7.9
70	62.1	2.2	8.8
80	70.6	2.7	9.3
90	78.7	3.1	9.8

Application Index			
Building Type	Ground Hydrants	Wall Hydrants	
	Non-Freeze Self Draining	Non-Freeze Self Draining	Modetate Climate
Agricultural (Farms, Feed Lots)	8800,8801,8900		
Apartments	8800,8801,8900	8600,8601,8604	8605,8607,8608
		8700,8701,8704	8707,8708,8709
Cleaning Areas, Slop Sinks, Garbage Can Wash	8801	8600,8601,8604	8605,8607,8608
		8700,8701,8704,8706	8707,8708,8709
Commercial / Multi Family		8706	8709
Garden Areas	8800,8801,8900	8600,8601,8604	8605,8307,8608
		8700,8701,8704	8707,8708,8709
Institutions, Hospitals, Schools		8600,8601,8604	8605,8607,8608
		8700,8701,8704,8706	8707,8708,8709
Industrial	8800,8801,8900	8600,8601,8604	8605,8607,8608
		8700,8701,8704,	8707,8708,8709
Malls, Shopping Centers	8801	8600,8601,8604	8605,8607,8608
		8700,8701,8704	8707,8708,8709
Office Buildings		8600,8601,8604	8605,8607,8608
		8700,8701,8704,8706	8707,8708,8709
Recreational Areas & Parks	8800,8801,8900	8600,8601,8604	8605,8607,8608
		8700,8701,8704	8707,8708,8709
Roofs	8900-R		
Supermarkets	8800,8801	8600,8601,8604	8605,8607,8608
		8700,8701,8704	8707,8708,8709
Stables	8800,8801,8900	8600,8601	8607,8608
		8700,8701	8707,8708,8709

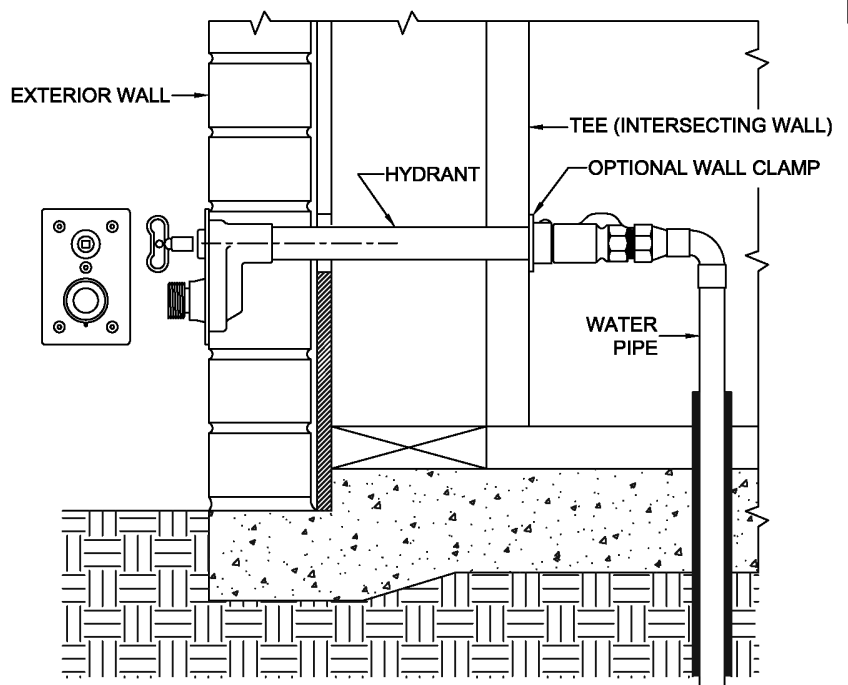
HYDRANTS

### Installation (Wall Hydrants)

Wade wall hydrants provide a non-freeze installation in any type of wall construction. The water supply is first run to an elevation above the finished floor at the anticipated hydrant location. The piping should be insulated for protection against aggressive soils and concrete.

The type of piping and connections are irrelevant - a standard 3/4" NPT threaded adapter is all that is required. The piping should be accessible for connection after the concrete is poured.

A common method is to place the hydrant at an interior wall junction to allow maximum length for freeze protection.



## Technical Data

### Non Freeze Wall Hydrants

Box type (Encased) wall hydrants are recommended for all finished exterior walls. Wade normally furnishes these hydrants with either a stainless steel box or a satin finish nickel bronze box. These boxes will not oxidize and stain finished exterior walls. All Wade hydrant boxes are face-of-wall design. The box covers the rough opening and fits flush against the exterior wall surface. The hinged locking cover conceals the hose nozzle and all operating parts.

Advantages of flush recessed box type non-freeze hydrants are:

- No protruding hose connection or operating mechanism.
- Prevents unauthorized use.
- Prevents against vandalism.
- Flush design offers enhanced appearance.

Non-encased wall hydrants are recommended in finished exterior walls where protruding hose connections or tamper proof protection is not necessary. These hydrants are furnished with an attractive face design which will not stain the exterior wall. Exposed hydrants are installed in areas where shrubs or other plants will conceal the hydrant or the areas are protected by fencing.

The primary function of non-freeze wall hydrants is to supply water to the exterior of the building without freezing. The wall hydrant must be specified with a casing long enough to locate the valve seat inside the building.

### Non-Freeze Ground and Post Hydrants

Wade ground and post hydrants are furnished with a valve housing that is installed below the frost line (minimum depth of bury) as specified for the region of installation. The valve housing has a drain port which drains the casing of the hydrant when the hydrant is in the off position; there is no water in the casing during non-use periods. Water from the drain hole seeps into the ground and should therefore be set into a bed of gravel.

Some locations where the hydrant cannot drain into the ground such as parking garages, plazas or promenade deck areas require that the drain port to locate in a heated area not subject to freezing and piping terminated into a suitable drain.

## Hose Connections

Wade hydrants are furnished with hose coupling screw threads conforming to ANSI B2.4.

## Inlet Connections

Threaded inlet connections are taper pipe threads (NPT) (male and female) conforming to ANSI B2.1.

Solder inlet connections for connection to copper tube or copper tube fittings conform to ANSI/ASTM B16.18.

In general, Wade hydrants are designed to conform to ANSI/ASME A112.21.3M Hydrants for Utility and Maintenance Use.

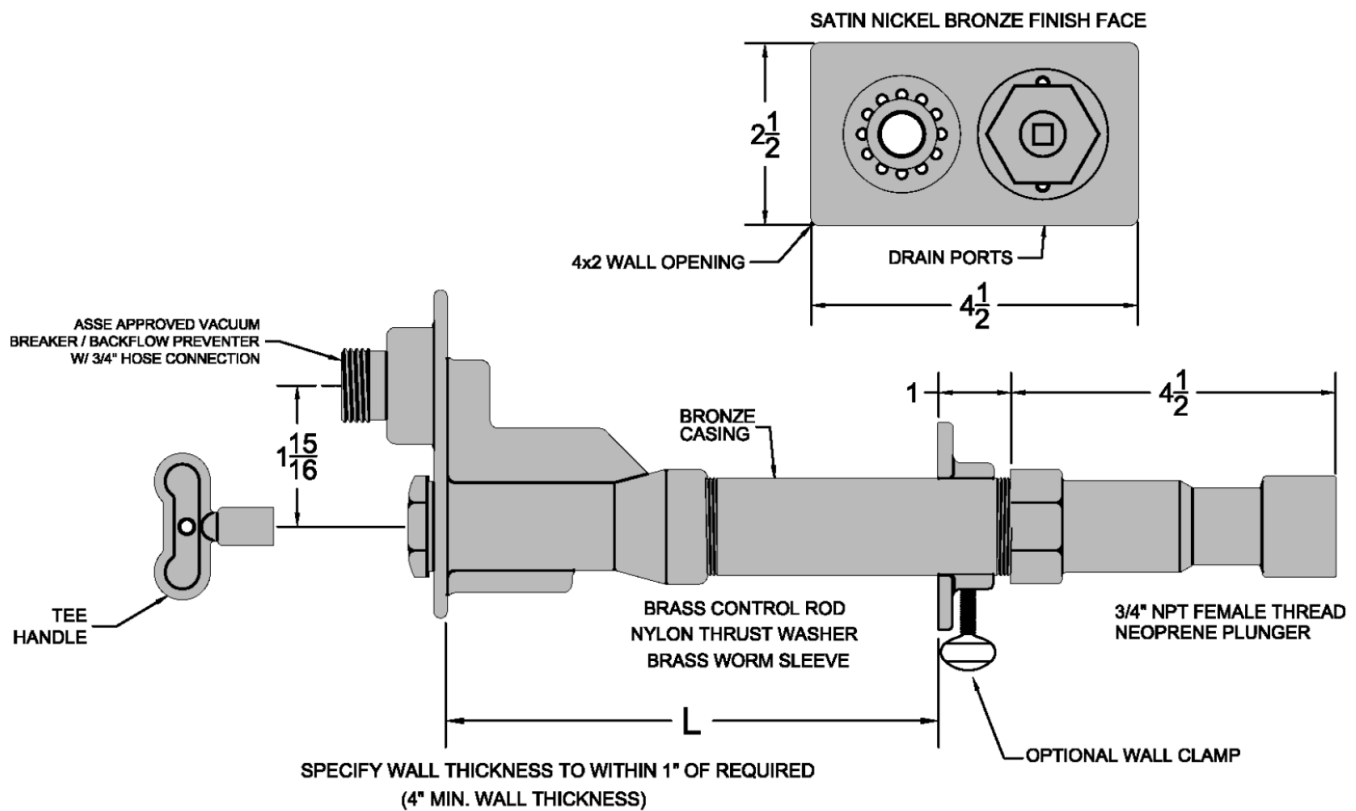
## Vacuum Breakers / Backflow Preventers

Anti-siphon vacuum breakers are designed to protect hose connections from contamination. Vacuum breakers are designed to provide protection against back siphonage and backflow from aspirators or hoses left in contaminants. Wade vacuum breakers conform to ASSE Standard 1011.

Options and Variations	
Suffix	Description
-1	Satin Finish Nickel Bronze Face
-2	Satinn Finish Bronze Face
-3	Rough Bronze Face
-12	Cast Iron Box w/ Ductile Iron Cover
-24	Anchor Flange on Box
-26	Anchor Flange on Box w/ Clamp Device
-39	Galvanized Cast Iron Box w/ Ductile Iron Cover
-83	Special Wording or Logo On Cover
-85	Stainless Steel Face or Box
-87	Wall Clamp
-88	Straight Copper Sweat Inlet Connection
-89	Vacuum Breaker
-90	1" Hose Thread Connection
-91	Union Elbow Connection
-92	Key Operated Cylinder Lock
-97	Galvanized Casing in Lieu of Brass
-102	Chrome Plated
-109	Drilled and Tapped Hole In Hydrant Box
-128	Statuary Bronze Finish on Face or Box
-131	Wheel Handle Operator
-135	Bronze Casing
-142	Less Vacuum Breaker
-175	Hydrant Box
-234	Deep Hydrant Box
-237	Cast Stainless Steel Box
-258	IPS x Copper Sweat 90 Degree Adapter
-259	IPS x Copper Sweat Straight Adapter
-260	6" Diameter Core Drill Hydrant Box
-261	Mounting Brackets (16" C to C Studs)
-262	Mounting Brackets (24" C to C Studs)
-263	Cast Iron Hydrant Box
-270	Less Hydrant Box
-275	Straight Inlet Adapter 3/4" MIPT x 3/4" CS
-277	Union Elbow Assembly 3/4" FIPT x 3/4" CS
-278	Union Elbow Assembly 3/4" MIPT x 3/4" CS
-279	Union Elbow Assembly 1" MIPT x 1" CS
-288	Straight Inlet Adapter 1" MIPT x 3/4" CS
-289	Straight Inlet Adapter 3/4" FIPT x 3/4" CS
-290	Straight Inlet Adapter 3/4' FIPT x 1" CS
-RC	Rough Chrome Plated
-PC	Polished Chrome Plated

Options, Variations & Repair Kits	
Suffix	Description
-CRT12	12" Long Cartridge Removal Tool
-CRT24	24" Long Cartridge Removal Tool
-CRT36	36" Long Cartridge Removal Tool
-HDR25	Replacement Hydrant Rod (1/4" Diameter)
-HDR38	Replacement Hydrant Ros (3/8" Diameter)
WK01	Minor Repair Kit (8600-8700)
WK02	Major Repair Kit (8600-8700)
WK03	Minor Repair Kit (8600-8700) 14-24" Wall
WK04	Major Repair Kit (8600-8700) 14-24" Wall
WK05	Minor Repair Kit (8604,8704,8706)
WK06	Major Repair Kit (8604,8704,8706) *
WK07	Repair Kit (8607,8707)
WK08	Replacement Vacuum Breaker (8607,8707)
WK09	Repair Kit (8609) 1-1/2" - 2" Old Style
WK10	Minor Repair Kit (8620,8625) Old Style
WK11	Major Repair Kit (8620,8625) Old Style
WK12	Repair Kit (8608) Old Style Pre 1971
WK13	Hydrant Box Repair Kit
WK14	Repair Kit (8900) 3/4" Previous 8610
WK15	Repair Kit (8900) 1" & 1-1/4"
WK16	Repair Kit (8900) 1-1/2' & 2"
WK17	Repair Kit (8604-8606) Pre 1982
WK18	Hydrant Box Repair (Old Style)
WK19	Repair Kit (8601-8608) Current

### 8600 Exposed, Freezeless Wall Hydrant



8600-1-L6

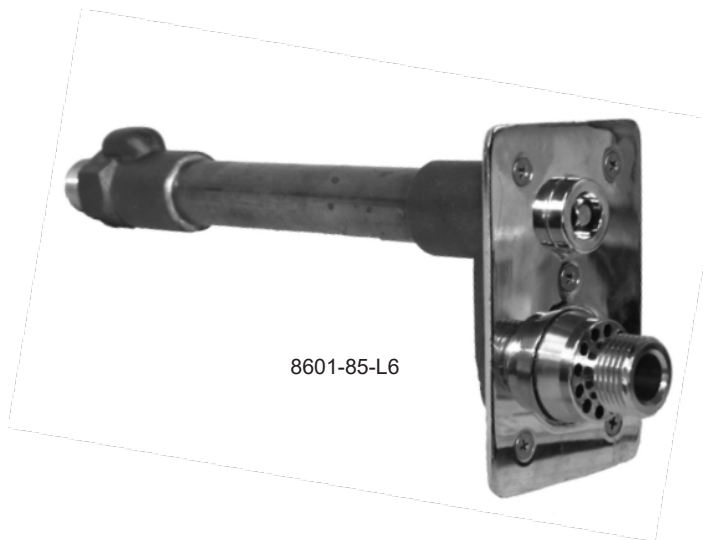
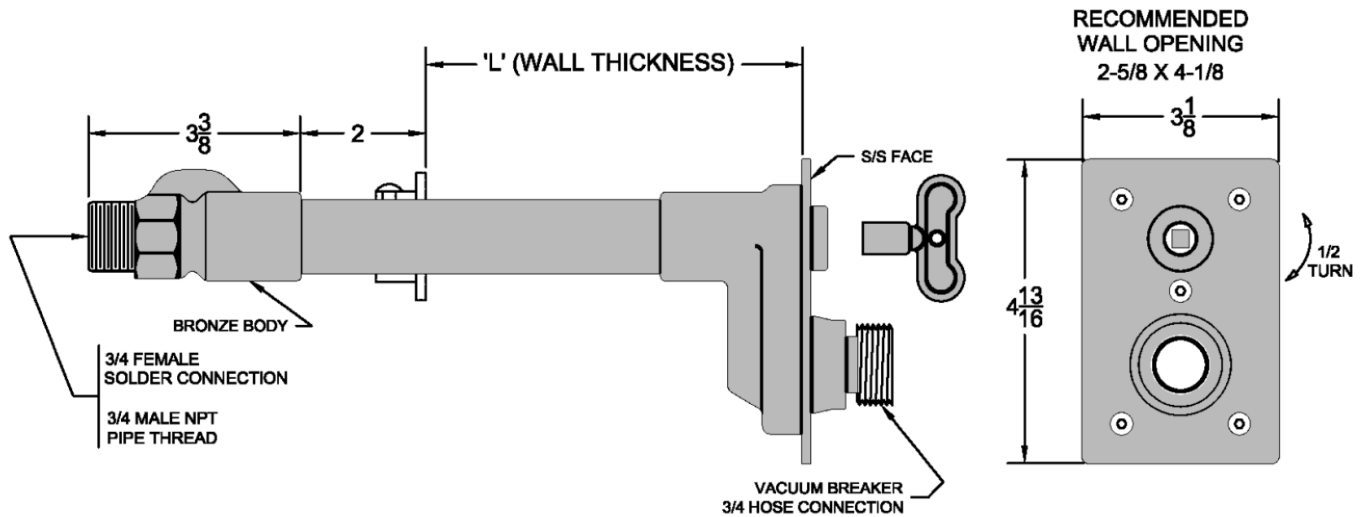
**Regularly Furnished:** Freezeless wall hydrant with compression closure valve, bronze casing, 3/4" hose connection, & anti-siphon backflow preventer. Chrome Plated Trim Standard. Maximum working pressure = 125 psi. Maximum temperature = 140° F.

Wall Thickness	-1 Satin Finish Nickel Bronze Face	-85 Polished S/S Face	-3 Rough Bronze Head Chrome Plated Trim	Wt. Lbs.
4",6",8"	\$ 1,596.00	\$ 1,596.00	\$ 1,470.00	4.2
10",12",14"	1,706.00	1,706.00	1,578.00	5.2
16",18"	1,860.00	1,860.00	1,734.00	5.8
20",22",24"	1,985.00	1,985.00	1,856.00	7.0

Suffix Options		
Suffix	Description	Add
HDR25	Replacement Rod	\$ 158.00
WK02	Repair Kit (Less Rod)	796.00
87	Wall Clamp	N/C
88	3/4" Solder Inlet*	146.00
90	1" Hose Connection*	231.00

\*Dimensions vary from illustration

## 8601 Exposed, Freezeless Wall Hydrant



HYDRANTS

**Regularly Furnished:** Freezeless wall hydrant with 1/2 turn cartridge, bronze casing, 3/4" hose connection, & anti-siphon backflow preventer. Maximum working pressure = 125 psi. Maximum temperature = 140° F.

Wall Thickness	-85 Polished Stainless Steel Face	Wt. Lbs.
4", 6", 8"	\$ 961.00	4.0
10", 12", 14"	1,021.00	4.8
16", 18"	1,117.00	5.8
20", 22", 24"	1,209.00	7.0

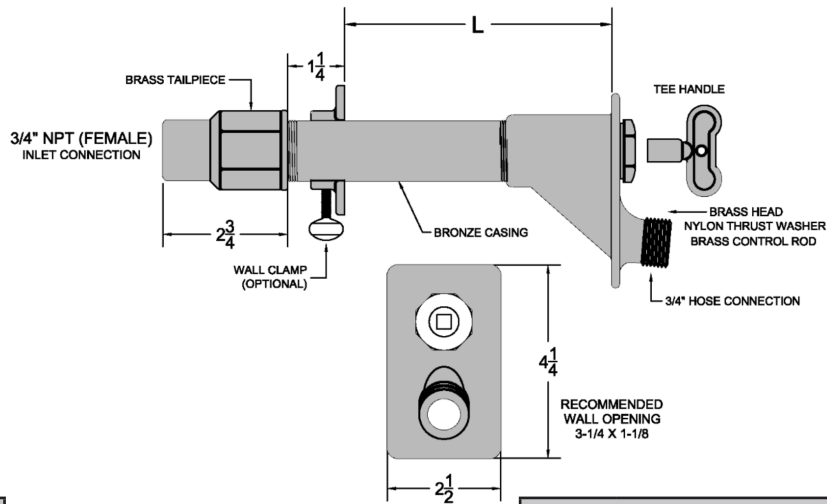
Suffix Options		
Suffix	Description	Add
CRT12	12" Cartridge Tool	\$ 55.00
CRT24	24" Cartridge Tool	55.00
CRT36	36" Cartridge Tool	55.00
HDR25	Replacement Rod	158.00
WHRK2	Repair Kit	411.00
87	Wall Clamp	N/C
258	3/4" Solder inlet Elbow	N/C



### 8604 Exposed, Freezeless Wall Hydrant



8604-2-L8



Wall Thickness	-2 Satin Finish Bronze	Wt. Lbs.
4",6",8"	\$ 1,264.00	4.0
10",12",14"	1,368.00	4.5
16",18"	1,564.00	5.0
20",22",24"	1,985.00	6.0

**Regularly Furnished:** Freezeless wall hydrant with compression closure valve, bronze casing, 3/4" hose connection. Maximum working pressure = 125 psi. Maximum temperature = 140° F.

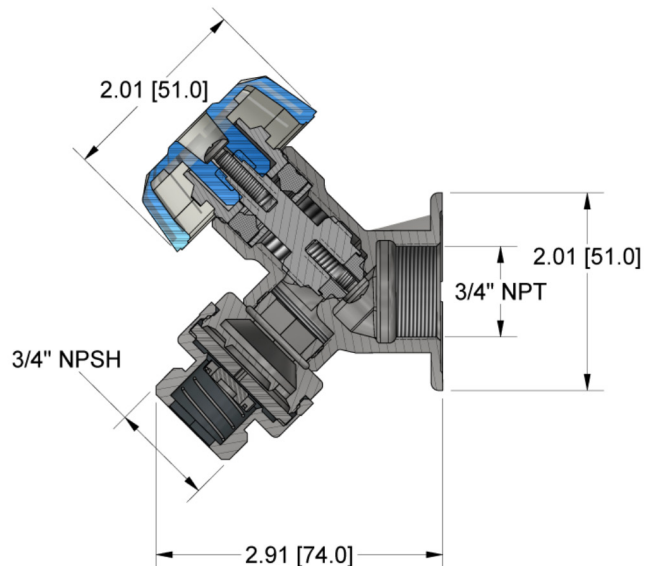
Suffix Options		
Suffix	Description	Add
HDR38	Replacement Rod	\$ 320.00
WK05	Repair Kit (Less Rod)	778.00
87	Wall Clamp	N/C
88	3/4" Solder Inlet*	146.00
89	Vacuum Breaker *	151.00
90	1" Hose Connection *	231.00

### 8605 Exposed, Mild Temperature Hose Bibb

**Regularly Furnished:** Hose Bibb with compression closure valve, bronze casing, 3/4" hose connection, vacuum breaker, plastic wheel handle, "T" handle key and NPT threaded inlet connection. Rough bronze finish provided with brown wheel handle; rough chrome or polished furnished with clear blue wheel handle. Maximum working pressure = 125 psi. Maximum temperature = 140° F.



8605-PC



Model Number	-RC Rough Chrome Plated	-PC Polished Chrome Plated	-3 Rough Bronze	Wt. Lbs.
8605	\$ 463.00	\$ 489.00	\$ 438.00	0.9

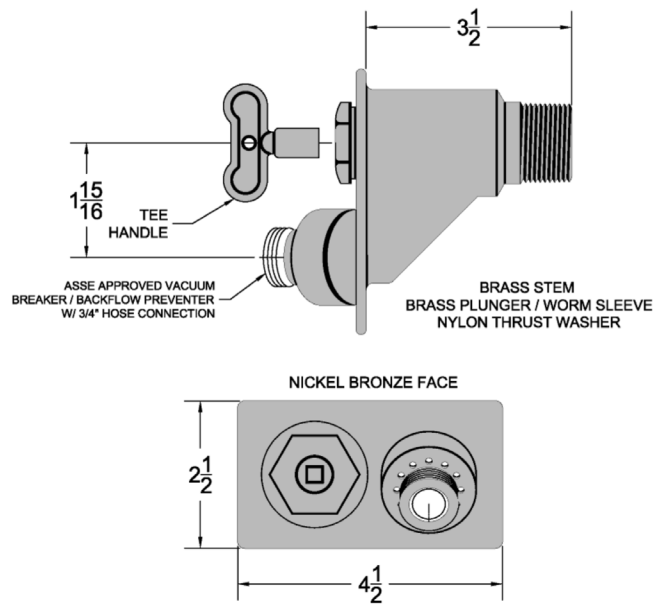
Female 3/4" NPT threaded inlet (3/4" x 1/2" Face Bushing provided)



# HYDRANTS & HOSE BIBBS



## 8607 Exposed, Mild Temperature Wall Hydrant

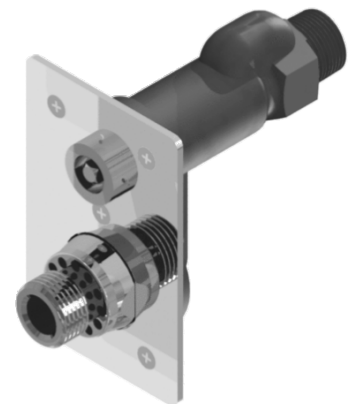
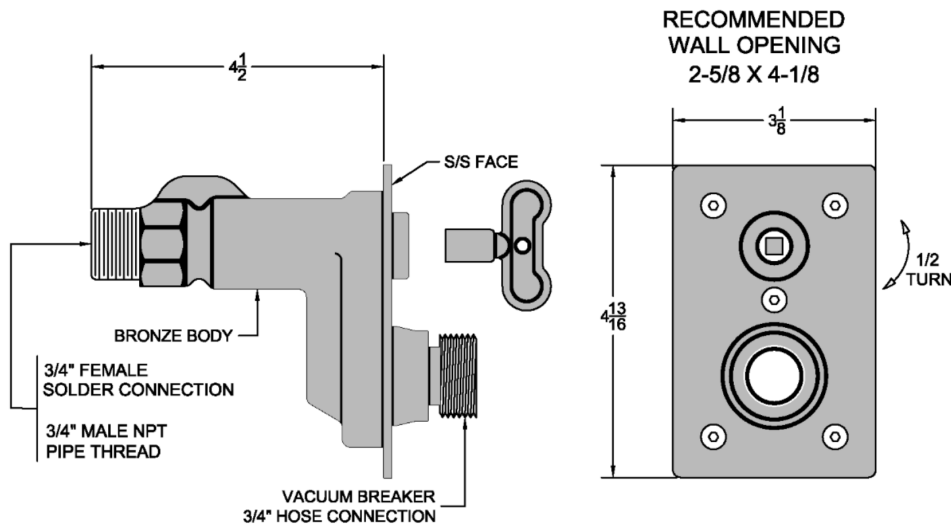


Wall Thickness	-1 Satin Finish Nickel Bronze	-3 Rough Bronze w/ Chrome Plated Trim	Wt. Lbs.
Close Coupled	\$ 1,205.00	\$ 1,187.00	6.0

Suffix Options		
Suffix	Description	Add
WK07	Repair Kit (Less Rod)	\$ 778.00
88	3/4" Solder Inlet*	146.00
90	1" Hose Connection*	231.00

**Regularly Furnished:** Mild Temperature wall hydrant with compression closure valve, 3/4" hose connection, & anti-siphon backflow preventer. Maximum working pressure = 125 psi.

## 8608 Exposed, Mild Temperature Wall Hydrant



HYDRANTS

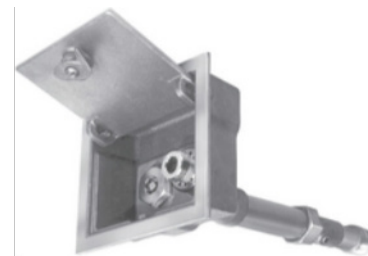
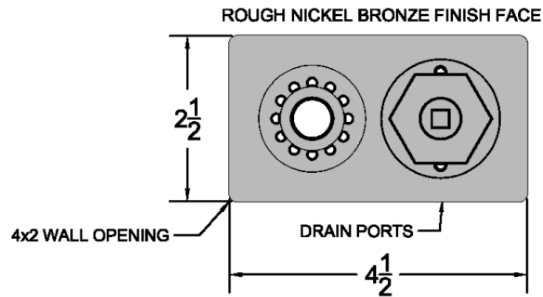
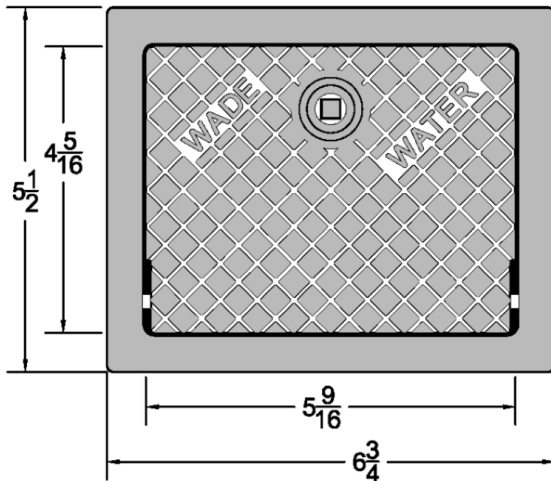
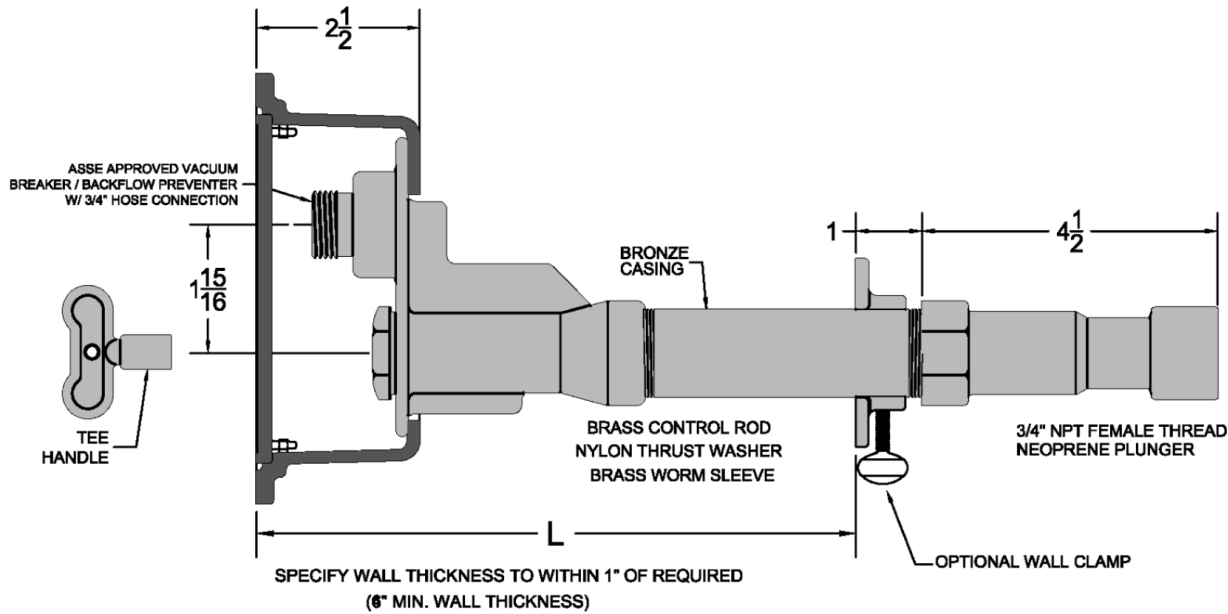
Wall Thickness	-85 Polished Stainless Steel Face	Wt. Lbs.
Close Coupled	\$ 786.00	3.0

Suffix Options		
Suffix	Description	Add
CRT12	12" Cartridge Tool	\$ 55.00
WHRK2	Repair Kit	411.00
88	3/4" Solder Inlet*	146.00
90	1" Hose Connection*	231.00

**Regularly Furnished:** Mild Temperature wall hydrant with 1/2 turn ceramic disc cartridge, 3/4" hose connection & anti-siphon backflow preventer. Maximum working pressure = 125 psi. Maximum temperature = 140° F

\*Dimensions vary from illustration

### 8700 Encased, Freezeless Wall Hydrant (Replaces 8600-175)



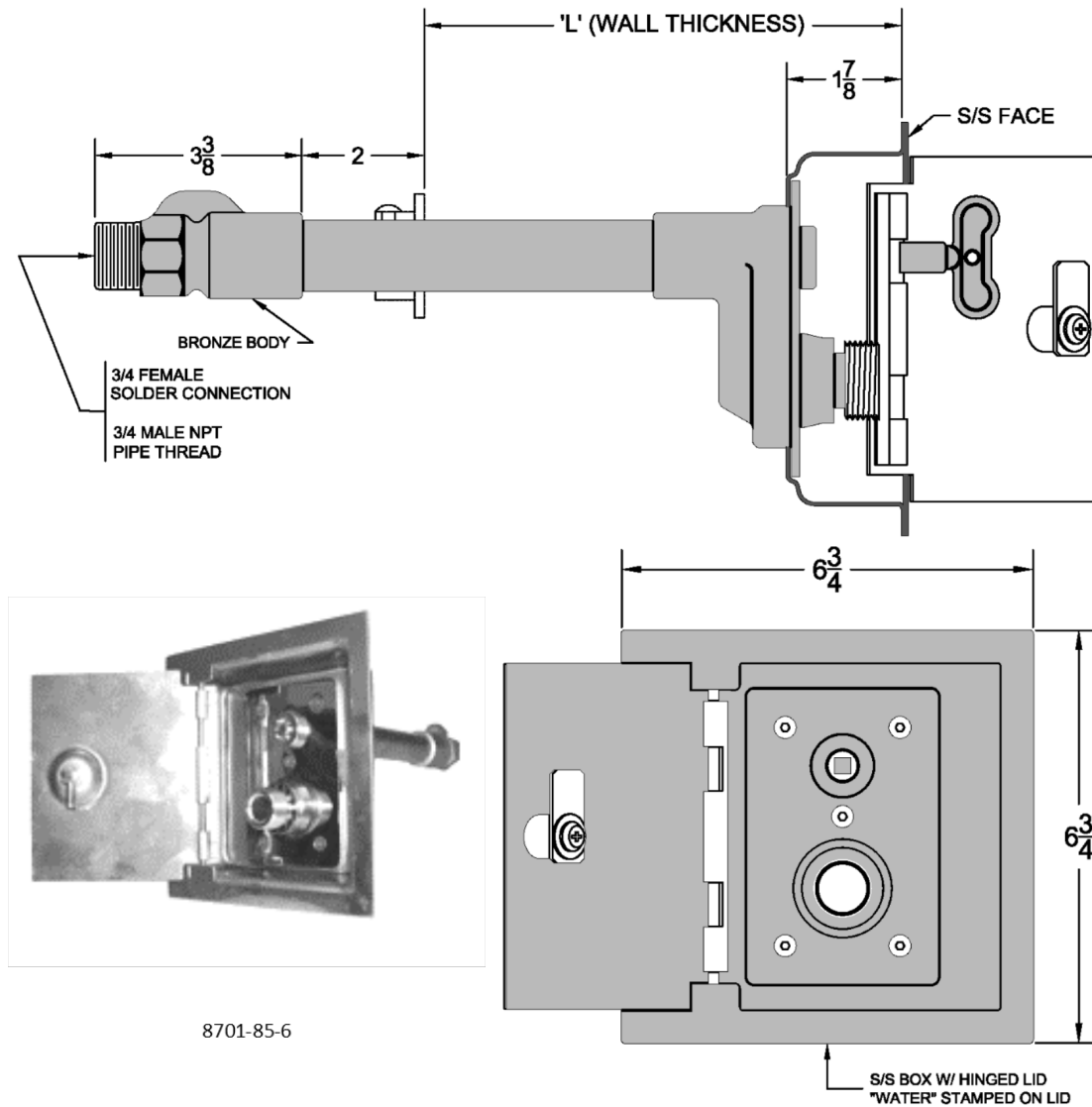
8700-1-6

**Regularly Furnished:** Freezeless wall hydrant with compression closure valve, bronze casing, 3/4" hose connection, box with hinged cover, & anti-siphon backflow preventer. Maximum working pressure = 125 psi. Maximum temperature = 140° F.

Wall Thickness	-1 Satin Finish Nickel Bronze	-85 Satin Finish Stainless Steel	Wt. Lbs.
6", 8", 10"	\$ 3,026.00	\$ 3,026.00	14.0
12", 14", 16"	3,115.00	3,115.00	15.0
18", 20"	3,265.00	3,265.00	15.6
22", 24", 26"	3,379.00	3,379.00	16.8

Suffix Options		
Suffix	Description	Add
HDR25	Replacement Rod	\$ 158.00
WK02	Repair Kit (Less Rod) 6-12	796.00
WK04	Repair Kit (Less Rod) 14-24	1,693.00
87	Wall Clamp	N/C
88	3/4" Solder Inlet*	N/C
90	1" Hose Connection*	231.00
92	Key Operated Cylinder Lock	204.00

## 8701 Encased, Freezeless Wall Hydrant



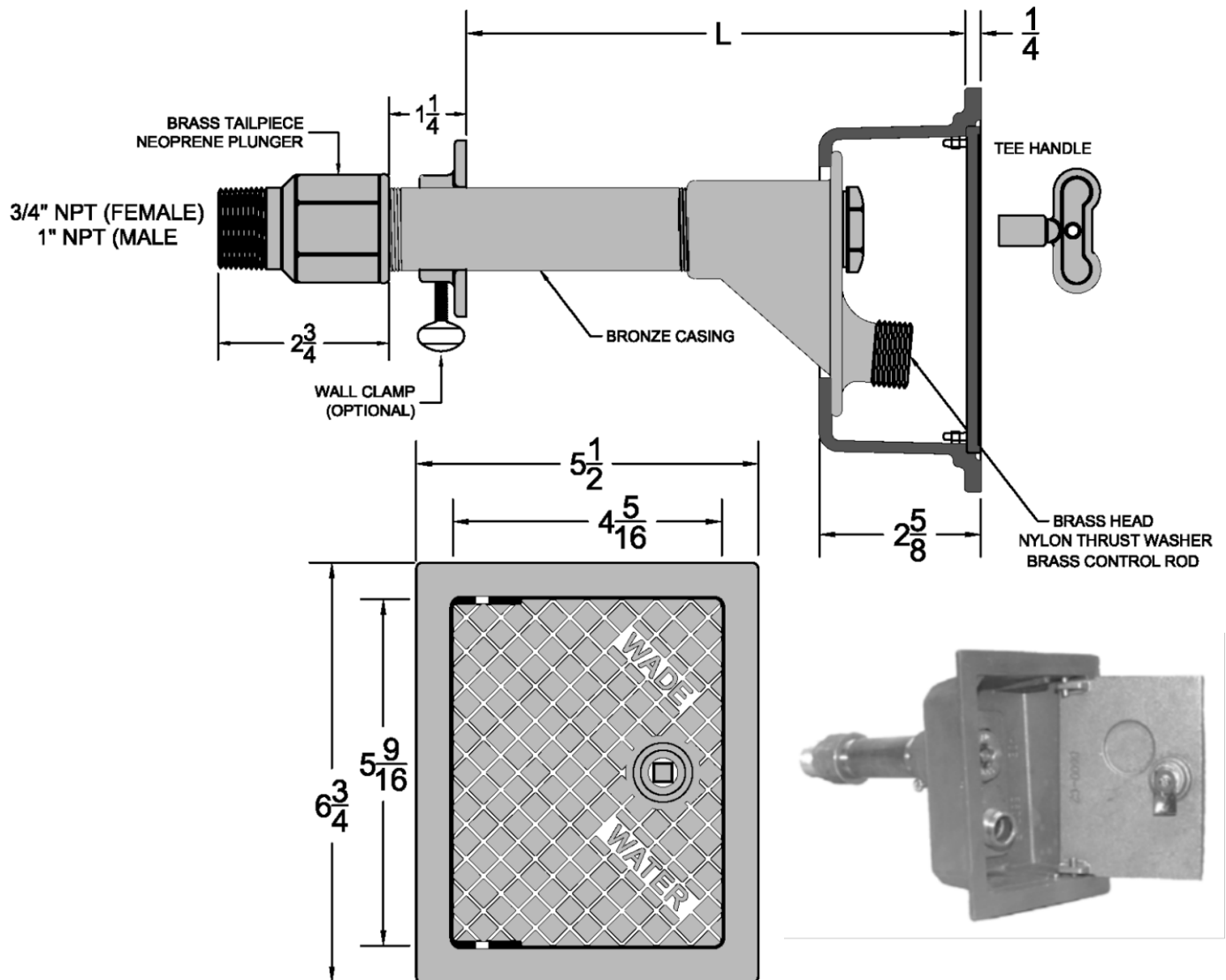
8701-85-6

**Regularly Furnished:** Freezeless wall hydrant with 1/4 turn cartridge, bronze casing, 3/4" hose connection, box with hinged cover, & anti-siphon backflow preventer. Maximum working pressure = 125 psi. Maximum temperature 140° F.

Wall Thickness	-1 Satin Finish Nickel Bronze	-85 Satin Finish Stainless Steel	Wt. Lbs.
6", 8", 10"	\$ 1,711.00	\$ 1,711.00	5.0
12", 14", 16"	1,771.00	1,771.00	5.8
18", 20"	1,868.00	1,868.00	6.8
22", 24", 26"	1,960.00	1,960.00	8.0

Suffix Options		
Suffix	Description	Add
CRT12	12" Cartridge Tool	\$ 55.00
CRT24	24" Cartridge Tool	55.00
CRT36	36" Cartridge Tool	55.00
HDR25	Replacement Rod	158.00
WHRK2	Repair Kit	411.00
87	Wall Clamp	N/C
92	Key Operated Cylinder Lock	204.00
258	3/4" Solder inlet Elbow	146.00

### 8704 Encased, Freezeless Wall Hydrant



8704-1-6

HYDRANTS

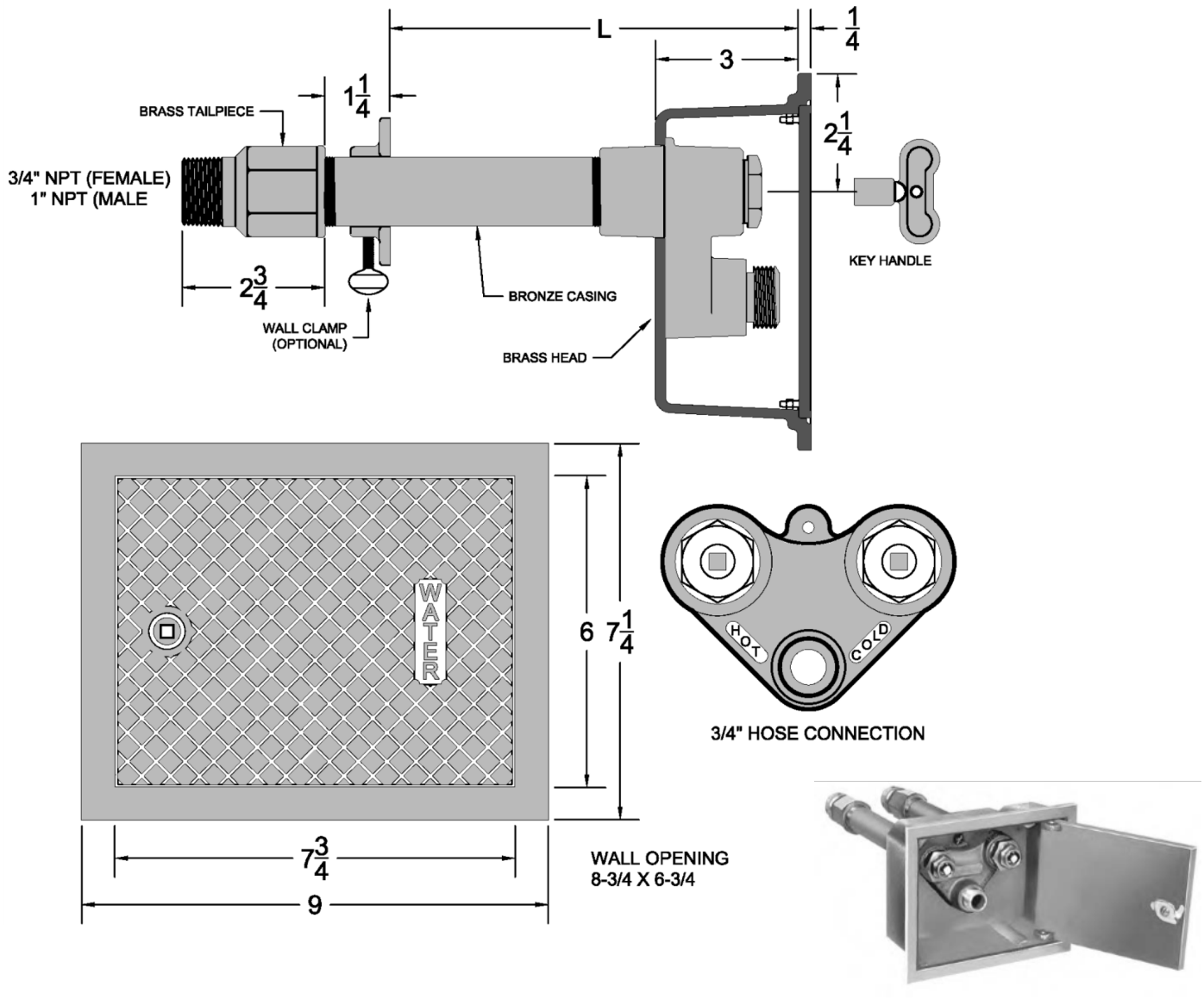
Wall Thickness	-1 Satin Finish Nickel Bronze	-85 Satin Finish Stainless Steel	Wt. Lbs.
6", 8"	\$ 2,178.00	\$ 2,697.00	14.0
10", 12", 14"	2,283.00	2,796.00	14.5
16", 18"	2,446.00	2,446.00	15.0
22", 24"	2,558.00	2,558.00	15.0

Suffix Options		
Suffix	Description	Add
HDR38	Replacement Rod	\$ 280.00
WK05	Repair Kit (Less Rod)	778.00
87	Wall Clamp	N/C
88	3/4" Solder Inlet*	156.00
89	Vacuum Breaker *	151.00
90	1" Hose Connection*	231.00

**Regularly Furnished:** Freezeless wall hydrant with compression closure valve, bronze casing, 3/4" hose connection and box with hinged locking cover.

\*Dimensions vary from illustration

## 8706 Encased, Dual Temperature, Freezeless Wall Hydrant



HYDRANTS

Wall Thickness	-1 Satin Finish Nickel Bronze	Wt. Lbs.
6", 8"	\$ 4,399.00	17.0
10", 12", 14"	4,520.00	18.0
16", 18"	4,911.00	20.0
20", 22", 24"	5,156.00	22.0

**Regularly Furnished:** Freezeless, dual temperature wall hydrant with compression closure valve, bronze casing, 3/4" hose connection and box with hinged locking cover.

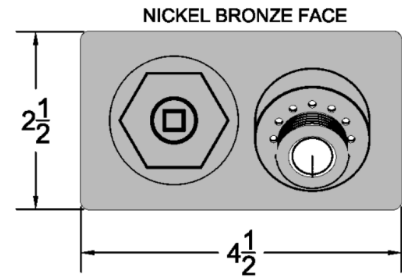
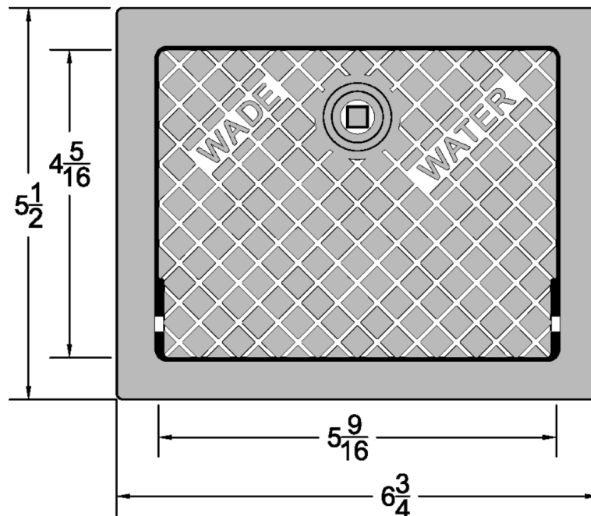
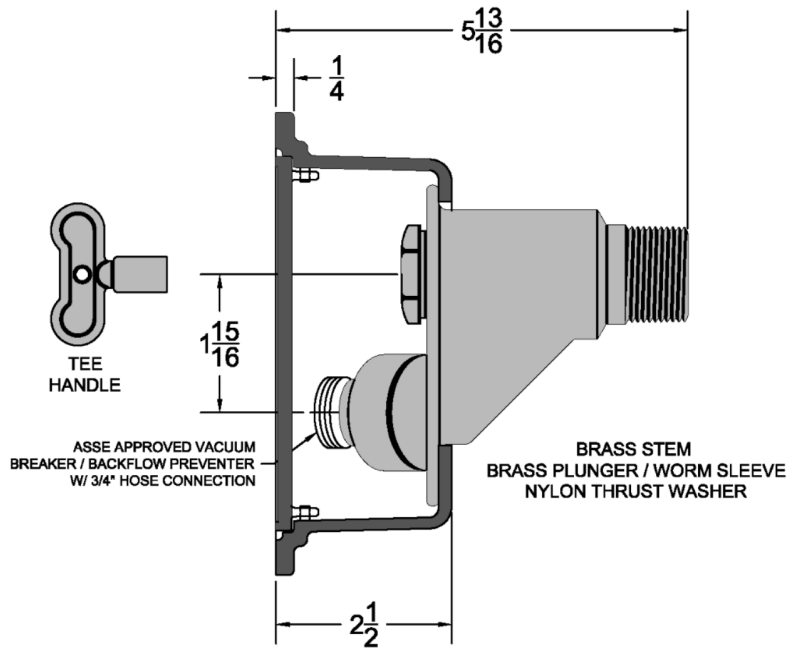
Suffix Options		
Suffix	Description	Add
HDR38	Replacement Rod	\$ 320.00
WK06	Repair Kit (Less Rod)	1,022.00
87	Wall Clamp	N/C
88	3/4" Solder Inlet*	156.00
89	Vacuum Breaker	151.00
90	1" Hose Connection*	231.00
92	Key Operated Cylinder Lock	204.00

\*Dimensions vary from illustration

### 8707 Encased, Mild Temperature Wall Hydrant



8707-1



HYDRANTS

Wall Thickness	Box Material	Wt. Lbs.
	-1 Satin Finish Nickel Bronze	
Close Coupled	\$ 2,725.00	14.0

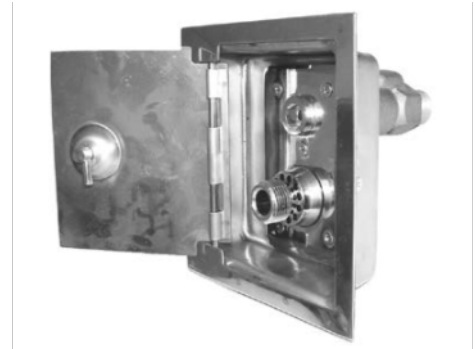
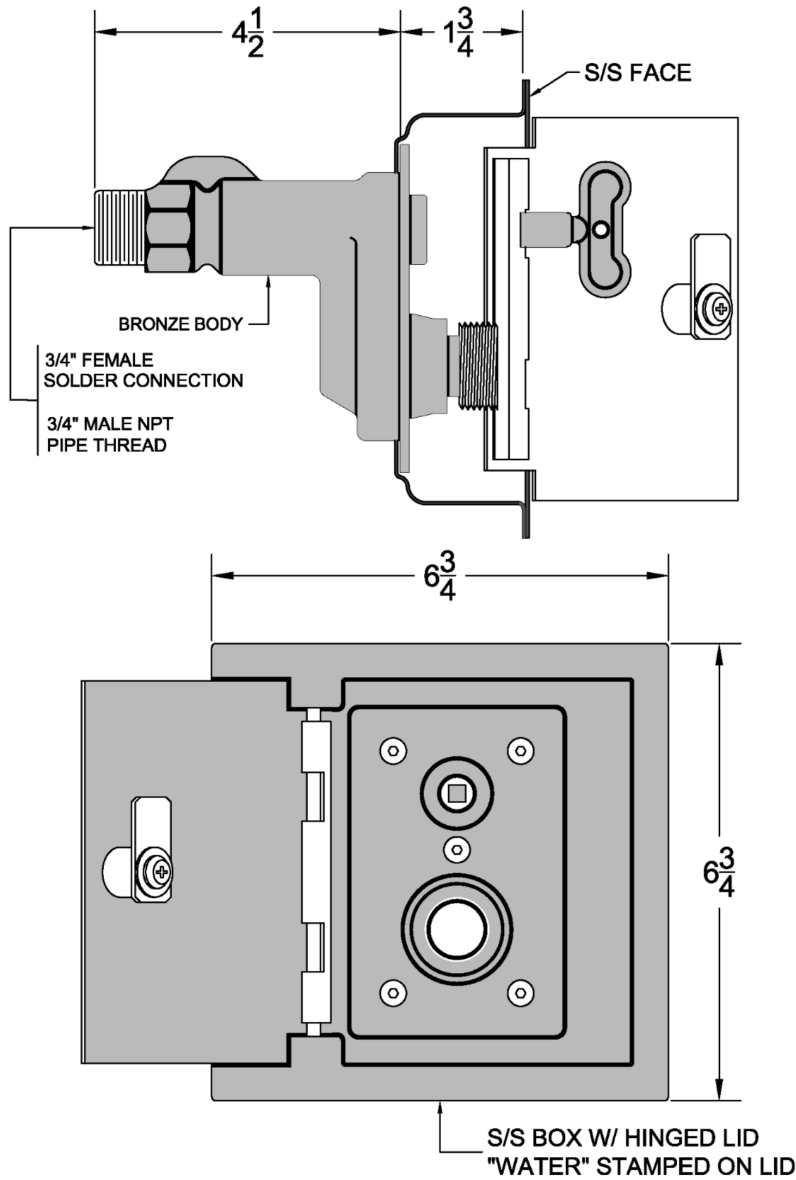
Suffix Options		
Suffix	Description	Add
WK07	Repair Kit	\$ 778.00
88	3/4" Solder Inlet*	N/C
90	1" Hose Connection*	231.00
92	Key Operated Cylinder Lock	204.00

**Regularly Furnished:** Mild Temperature wall hydrant with compression closure valve, bronze casing, 3/4" hose connection, box with hinged cover, & anti-siphon backflow preventer.

\*Dimensions vary from illustration



## 8708 Encased, Mild Temperature Wall Hydrant



8708-85

HYDRANTS

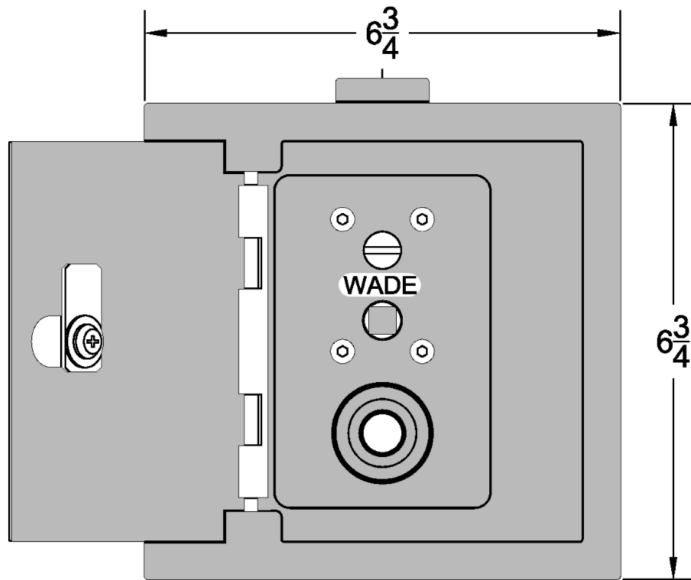
Wall Thickness	Box Material		Wt. Lbs.
	-1 Satin Finish Nickel Bronze	-85 Satin Finish Stainless Steel	
Close Coupled	\$ 1,552.00	\$ 1,552.00	4.0

**Regularly Furnished:** Mild Temperature wall hydrant with 1/4 turn cartridge, bronze casing, 3/4" hose connection, box with hinged cover, & anti-siphon backflow preventer.

Suffix Options		
Suffix	Description	Add
CRT12	12" Cartridge Tool	\$ 55.00
WHRK2	Repair Kit	411.00
87	Wall Clamp	N/C
92	Key Operated Cylinder Lock	204.00
258	3/4" Solder inlet Elbow	146.00

\*Dimensions vary from illustration

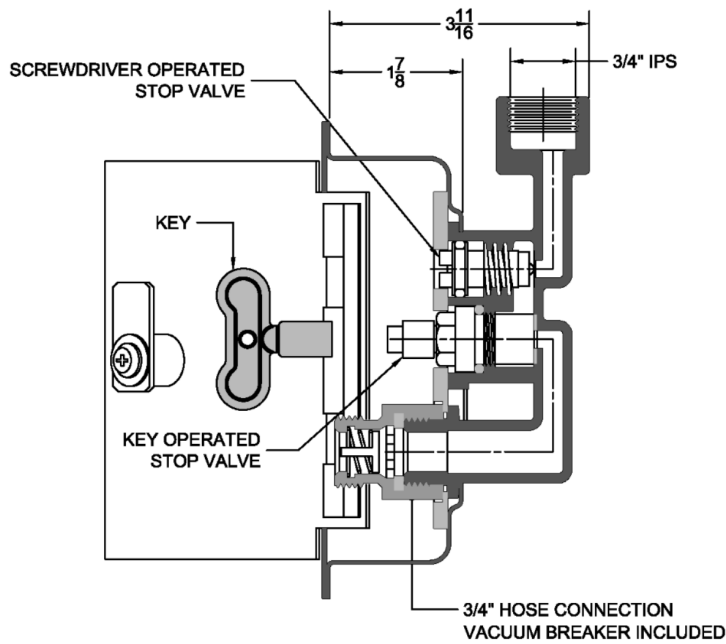
### 8709 Encased, Mild Temperature, Narrow Wall Hydrant



S/S BOX W/ HINGED LID  
"WATER" STAMPED ON LID



8709-85



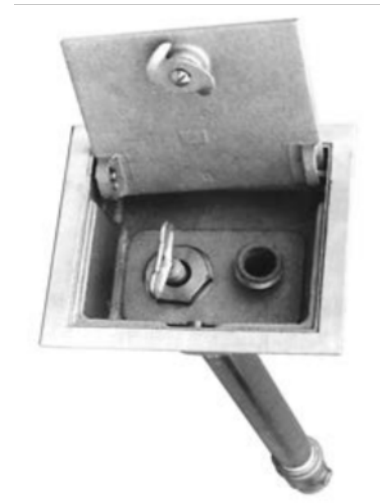
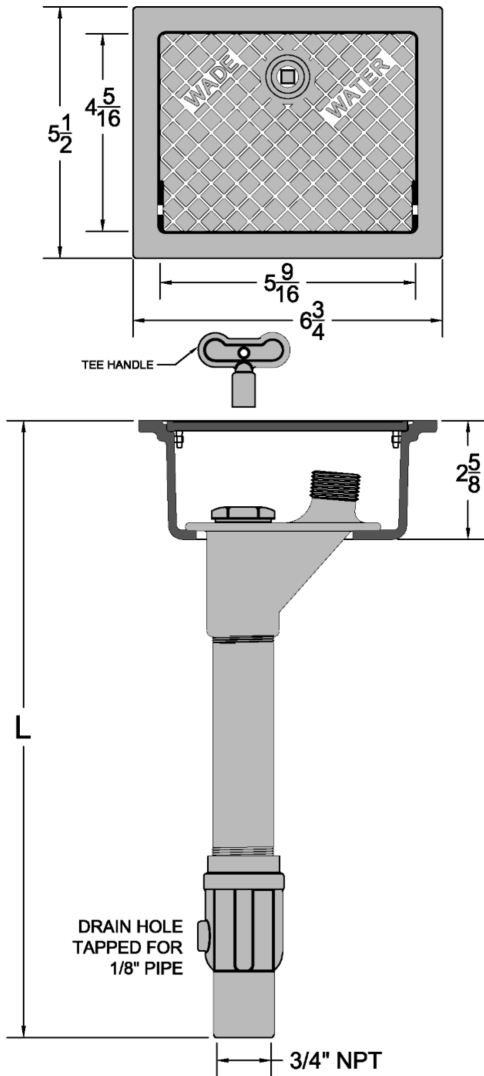
HYDRANTS

Wall Thickness	-85 Satin Finish Stainless Steel	Wt. Lbs.
Close Coupled	\$ 1,380.00	3.0

Suffix Options		
Suffix	Description	Add
RK	Repair Kit	\$ 578.00
92	Key Operated Cylinder Lock	204.00

**Regularly Furnished:** Mild Temperature, narrow wall hydrant with 1/4 turn cartridge, bronze casing, 3/4" hose connection, box with hinged cover, & anti-siphon backflow preventer.

## 8800 Encased, Freezeless Ground Hydrant



8800-3-(2' Bury)

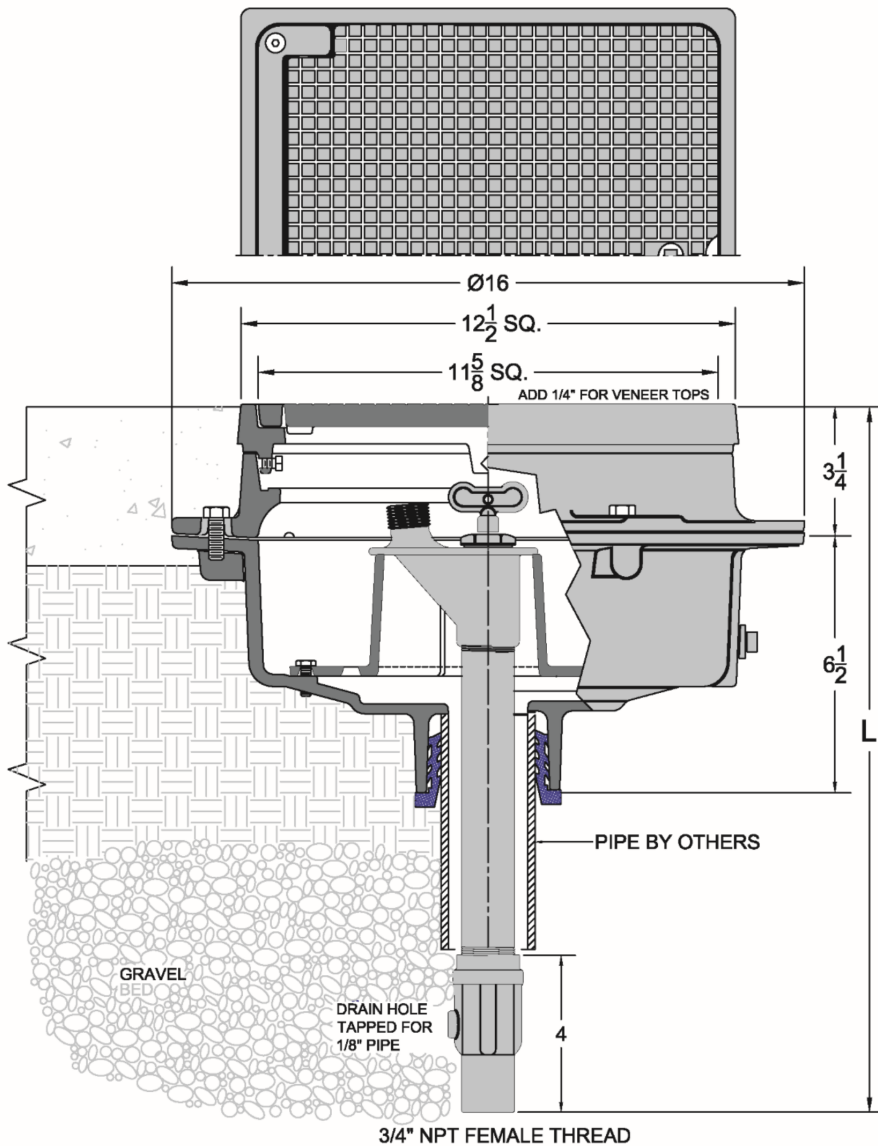
Bury Depth	-1 Satin Finish Nickel Bronze	Wt. Lbs.
1'	\$ 2,971.00	14.0
2'	2,971.00	15.0
3'	3,140.00	16.0
4'	3,317.00	17.0
5'	3,503.00	18.0
6'	3,677.00	19.0
7'	3,848.00	20.0
8'	4,022.00	21.0
9'	4,210.00	22.0
10'	4,375.00	23.0

**Regularly Furnished:** Freezeless ground hydrant with compression closure valve, bronze casing, 3/4" hose connection, & box with hinged locking cover.

Suffix	Description	Add/Deduct
HDR38	Replacement Rod (Per Ft)	\$ 158.00
WK14	Repair Kit (Less Rod)	793.00
24	Anchor Flange*	845.00
26	Anchor Flange w/ Clamping Device*	920.00
89	Vacuum Breaker	151.00
90	1" Hose Connection*	231.00
92	Key Operated Cylinder Lock	204.00
97	Galvanized Casing (Deduct)	(388.00)
109	Drain Port in Box (Specify Size)	191.00

\*Dimensions vary from illustration

### 8801 Encased, Freezeless Ground Hydrant (Replaces 8601-XH)



8801-12

HYDRANTS

Bury Depth	-12 Ductile Iron Box & Face	-1 Ductile Iron Box with Satin Nickel Bronze Veneer Top	Wt. Lbs.
2'	\$ 4,564.00	\$ 7,844.00	81.4
3'	4,748.00	8,029.00	83.4
4'	4,881.00	8,161.00	85.4
6'	5,048.00	8,328.00	89.4

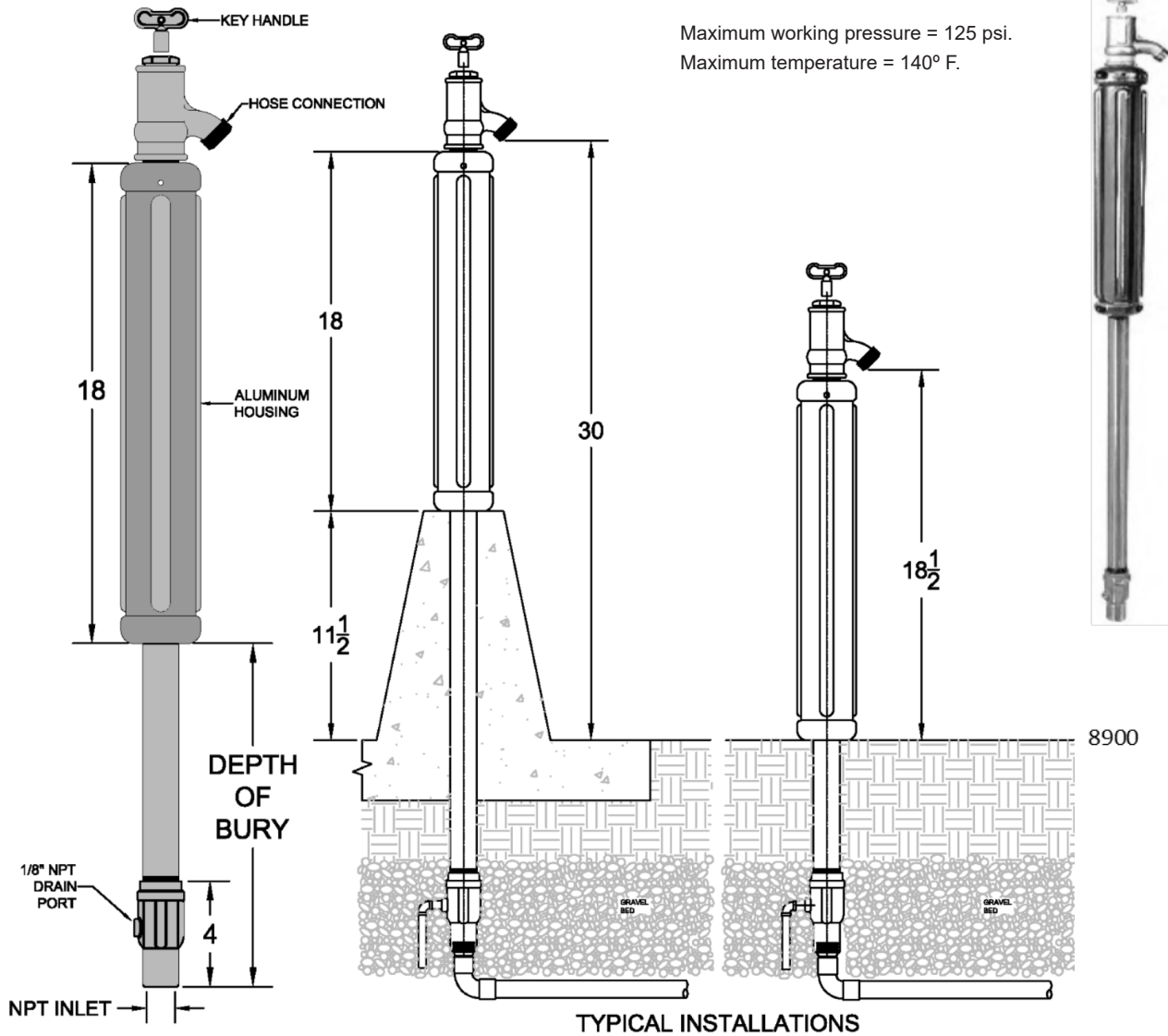
Suffix Options		
Suffix	Description	Add/Deduct
HDR38	Replacement Rod (Per Ft)	\$ 158.00
WK14	Repair Kit (Less Rod)	793.00
39	Galvanized Box	966.00
83	Special Marking	168.00
89	Vacuum Breaker	151.00
90	1" Hose Connection*	231.00
92	Cylinder Lock	204.00
97	Galvanized Casing (Deduct)	(388.00)
109	Drain Port in Box (Specify Size)	191.00

Regularly Furnished: Freezeless ground hydrant with compression closure valve, bronze casing, 3/4" hose connection, & heavy duty, flanged box with hinged cover. Maximum working pressure = 125 psi. Maximum temperature = 140° F.

# HYDRANTS & HOSE BIBBS



## 8900 Post Hydrant (Replaces 8610)



Maximum working pressure = 125 psi.  
Maximum temperature = 140° F.

For Vehicular Traffic Areas  
Concrete Bollard May be Desirable

For Pedestrian Traffic Areas

Bury Depth	Hydrant Inlet / Hose Connection Size (NPT/NPSH)		
	3/4"	1-1/2"	2"
3'	2,796.00	8,490.00	10,419.00
4'	2,977.00	9,037.00	10,961.00
5'	3,163.00	9,355.00	11,281.00
6'	3,352.00	9,664.00	11,593.00
8'	3,753.00	10,389.00	12,315.00

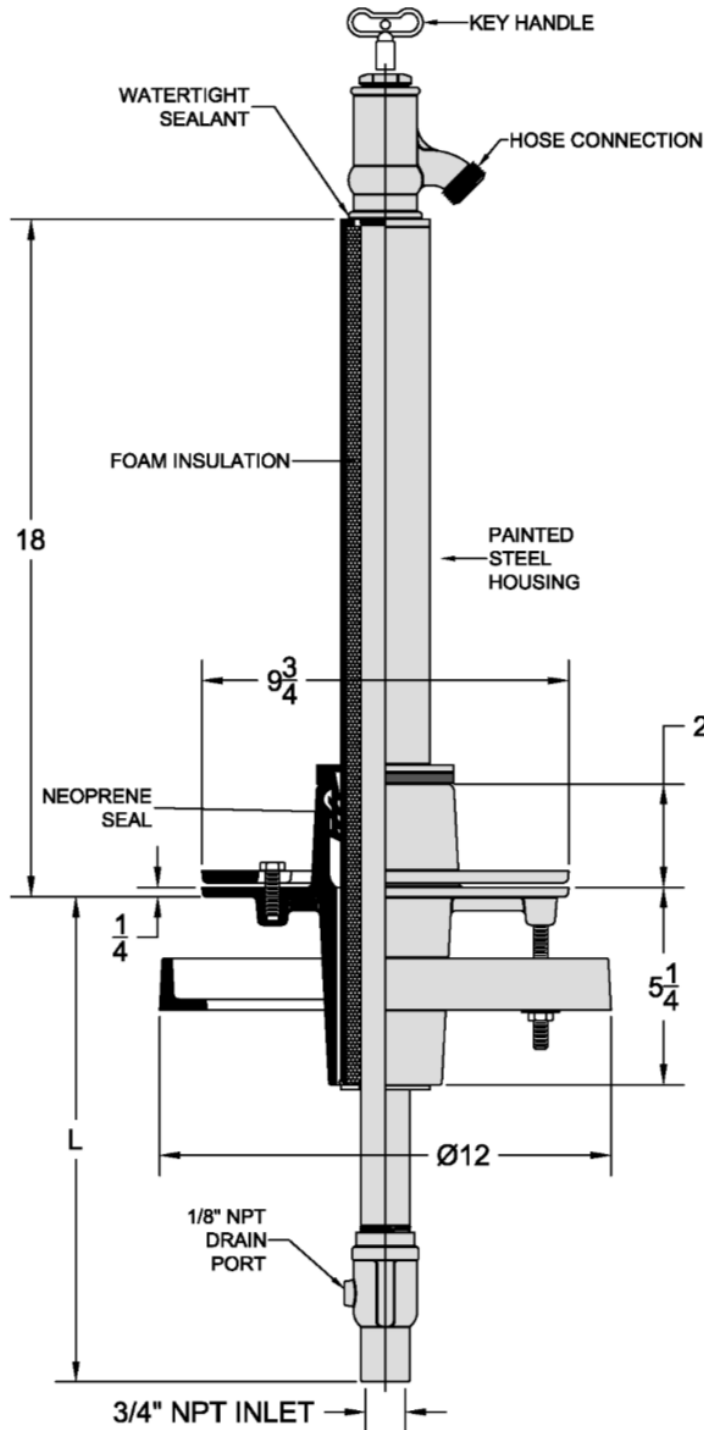
Suffix Options			
Suffix	Description	Size	Add
HDR38	Replacement Rod (Per Ft.)	3/4"-1"	\$ 158.00
HDR43	Replacement Rod (Per Ft.)	1-1/4"-2"	242.00
WK14	Repair Kit (Less Rod)	3/4"	793.00
WK15	Repair Kit (Less Rod)	1"-1-1/4"	1,974.00
WK16	Repair Kit (Less Rod)	1-1/2"-2"	3,050.00
89	Vacuum Breaker *	3/4"	151.00
131	Wheel Handle *	3/4"-1"	320.00
		1-1/4"-2"	628.00

**Regularly Furnished:** Non-freeze post hydrant with cast aluminum protective housing, bronze head, brass casing, bronze valve and brass internal operating parts.

HYDRANTS

### 8900-R Roof Hydrant

**Regularly Furnished:** Non-freeze post roof hydrant with painted steel protective housing, bronze head, bronze valve, brass internal operating parts, 3/4" hose connection, painted cast iron roof deck housing, membrane clamp and neoprene seal.



L Depth	Standard Painted Housing	-97 Galvanized Housing	Wt. Lbs.
2'	\$ 3,931.00	\$ 4,484.00	26.0
3'	4,111.00	4,664.00	28.0
4'	4,292.00	4,846.00	30.0

Suffix Options		
Suffix	Description	Add
HDR38	Replacement Rod (Per Ft.)	\$ 158.00
WK14	Repair Kit (Less Rod)	793.00
52	Bearing Pan / Sump Receiver	282.00
53	Under-Deck Clamp	164.00
89	Vacuum Breaker *	151.00
131	Wheel Handle * 3/4"	320.00

Maximum working pressure = 125 psi.  
Maximum temperature = 140° F.

