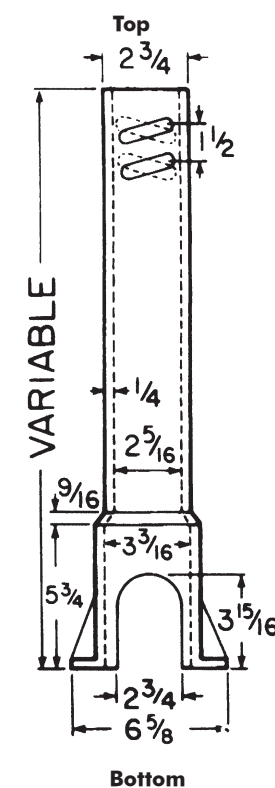
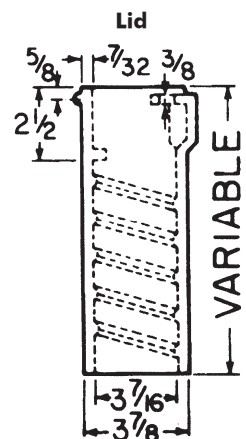
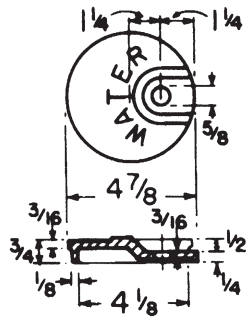




**CAST IRON SERVICE BOXES, ADJUSTABLE**  
 Accommodates 2" through 1 1/4" curbstops; enlarged base  
 Accommodates 2" curbstops; 2 1/2" shaft - screw type

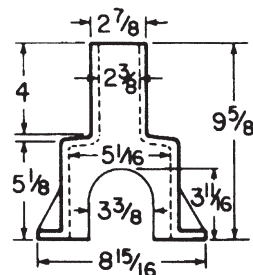


**TOP SECTION WITH WATER LID**

Item	UPCode 67610	Ship Code	Weight
12T	147510	S	11
15T	147589	S	12
18T	147640	S	14
24T	147701	S	19
30T	147763	S	22

**BOTTOM ONLY**

Item	UPCode 67610	Ship Code	Weight
12B	144670	S	9
15B	144687	S	10
21B	144694	S	12
27B	144700	S	14
33B	144717	S	18
39B	144724	S	22

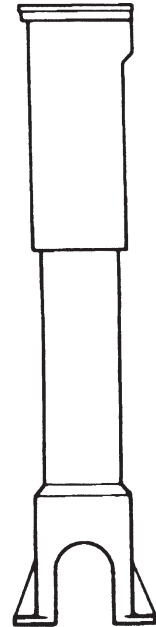


**ENLARGED BASE For 2" Curbstop**

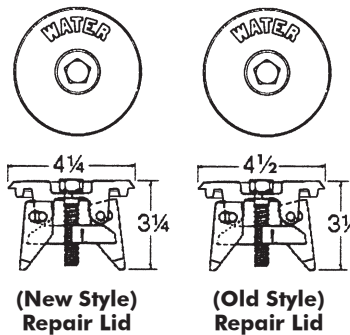
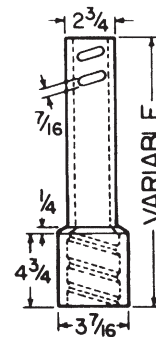
Item	Height Increase
6500	6"

**6500 SERIES, SCREW TYPE WITH WATER LID**

Box (Components)	UPCode 67610	Ship Code	Extension In Inches	Weight
89-A (12T & 12B)	146681	S	15-21	20
90-B (12T & 15B)	146742	S	18-24	21
90-C (15T & 15B)	146803	S	21-27	22
91-C (15T & 21B)	146865	S	24-33	24
92-C (15T & 27B)	146926	S	30-39	26
92-D (18T & 27B)	146988	S	30-42	28
93-D (18T & 33B)	147046	S	36-48	32
93-E (24T & 33B)	147114	S	36-54	37
94-E (24T & 39B)	147183	S	42-60	41
95-E (30T & 39B)	147251	S	41-64	44
100-E (24T & 21B & #154 Ext)	147312	S	54-72	50
100-F (30T & 21B & #154 Ext)	147381	S	54-78	53
101-F (30T & 27B & #154 Ext)	147459	S	60-84	55

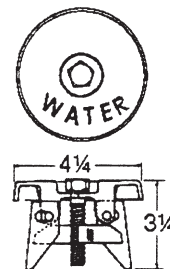


**Box Assembled**



**(New Style) Repair Lid**

**(Old Style) Repair Lid**



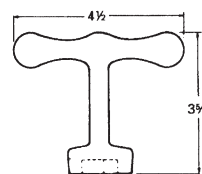
**(Outside Cover) Repair Lid**

**EXTENSION**

Item	Height Increase
151	9
152	16
153	28
154	30

**6500 SERIES PARTS**

Item	UPCode 67610	Ship Code	Wt.
151 Ext	144762	S	7.0
152 Ext	144779	S	12.0
153 Ext	144786	S	17.0
154 Ext	144793	S	19.0
Enlarged Base	144809	S	8.0
2 1/2" "Water Lid"	144830	S	1.0
Brass Screw (Std. WW Pentagon)	144816	S	...
Wrench (Std. WW Pentagon)	144908	S	0.5
2 1/2" "Repair Lid Old"	144915	S	4.5
2 1/2" "Repair Lid New"	144922	S	4.5
2 1/2" "Repair Lid Outside Cover"	381518	S	4.5



**Wrench**



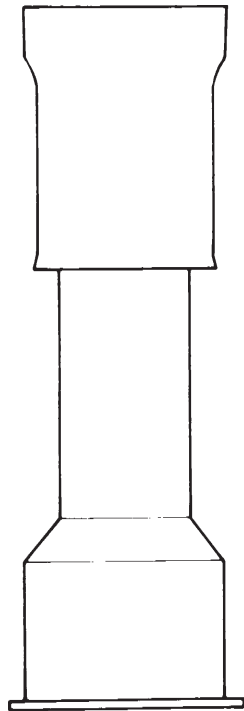
**Brass Screw Std. WW Pentagon**



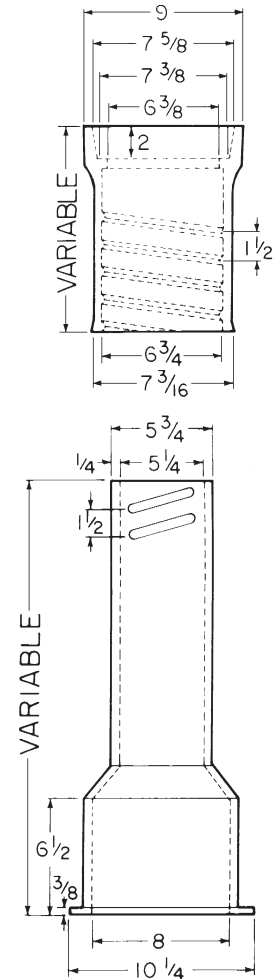
**\*\*6850 SERIES  
CAST IRON TWO-PIECE VALVE BOXES**  
for 4" through 12" valves, 5<sup>1</sup>/<sub>4</sub>" shaft, screw-type

TYLER UNION valve boxes are available either pre-assembled or as individual tops and bottoms. For assembled boxes, The UPC codes shown represent a combination of one top and one bottom in the sizes shown. For unassembled boxes, the UPC code represents only a top or a bottom, not a complete box. Therefore, unassembled boxes require ordering tops and bottoms separately.

**\*\*NOTE: Domestic Valve Boxes available in Heavy Duty Only  
Non-Domestic available in Standard or Heavy Duty**



**Box Assembled  
(Less Lid)**



Box (Components)	Extension*(D-HD)UPCode Height	670610	*(ND-HD)UPCode 670610	Wt	*(ND-Std.)UPCode	
					670610	Wt
461-S (10T + 15B)	19-22	145776	502098	50	112280	35
462-S (10T + 24B)	27-32	145783	502104	58	112297	43
562-S (16T + 24B)	27-37	145790	502111	71	112303	50
563-S (16T + 30B)	33-43	145752	-----	78	112310	60
564-S (16T + 36B)	39-50	145806	502128	85	112327	66
662-S (26T + 30B)	36-52	145769	----	93	112341	76
664-S (26T + 36B)	39-60	145813	----	100	112358	82
665-S (26T + 24B)	39-63	375296	----	87	---	---
666-S (26T+24B+60 Ext)	51-71	145820	502135	128	112365	95
668-S (26T+36B+60 Ext)	62-82	145837	----	136	112372	111

NOTE: D=Domestic ND=Non-Domestic HD=Heavy Duty Weight Std.=Standard Weight

Lids marked "WATER" will ship unless otherwise specified:  
Also available 5<sup>1</sup>/<sub>4</sub>" Drop Lids"  
1)WATER OMA 2)SEWER 3)MWW  
4)PLAIN 5)GAS 6)REUSE  
Note: Special Lettering Available  
Contact Tyler Union for Setup Charge

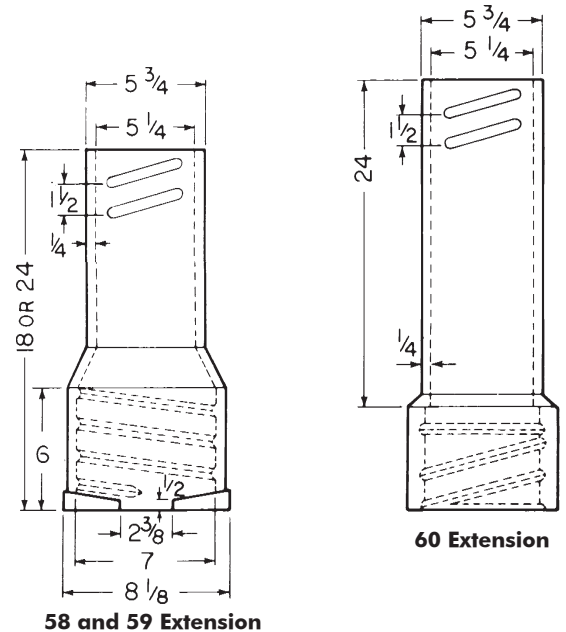
**SEPARATE UPCODES for VALVE BOX TOPS ONLY (Less Lids)**

Box	TOP Length	**(D-HD) UPCode		**(ND-HD) UPCode		**(ND-Std.) UPCode	
		670610	Wt	670610	Wt	670610	Wt
461-S	(10T)	144939	22	502142	22	112402	15
462-S	(10T)	144939	22	502142	22	112402	15
562-S	(16T)	144946	36	502159	36	112419	22
563-S	(16T)	144946	36	502159	36	112419	22
564-S	(16T)	144946	36	502159	36	112419	22
662-S	(26T)	144953	51	502166	51	112426	38
664-S	(26T)	144953	51	502166	51	112426	38
666-S	(26T)	144953	51	502166	51	112426	38
668-S	(26T)	144953	51	502166	51	112426	38

\*\*NOTE: D=Domestic ND=Non-Domestic HD=Heavy Duty Weight Std.=Standard Weight

**EXTENSIONS**

Item/Description	Height Increase	**(D-HD) UPCode		**(ND-Std.) UPCode	
		670610	Wt	670610	Wt
#58 Screw-Type	14	145141	29	---	---
#59 Screw-Type	18	145158	30	---	---
#60 Screw-Type	24	145059	37	112389	29



**SEPARATE UPCODES for VALVE BOX BOTTOMS ONLY**

Box	Bottom Length	**(D-HD)UPCode		**(ND-HD)UPCode		**(ND-Std.)UPCode	
		670610	Wt	670610	Wt	670610	Wt
461-S	(15B)	145004	27	502173	27	112242	20
462-S	(24B)	145011	35	502180	35	112259	28
562-S	(24B)	145011	35	502180	35	112259	28
563-S	(30B)	144991	42	502197	42	112266	38
564-S	(36B)	145028	49	502203	49	112273	44
662-S	(30B)	144991	42	502197	42	112266	38
664-S	(36B)	145028	49	502203	49	112273	44
666-S	(24B)	145011	35	502180	35	112259	28
668-S	(36B)	145028	49	502203	49	112273	44
	(48B)	---	---	---	---	452737	62
	(60B)	---	---	---	---	452744	85

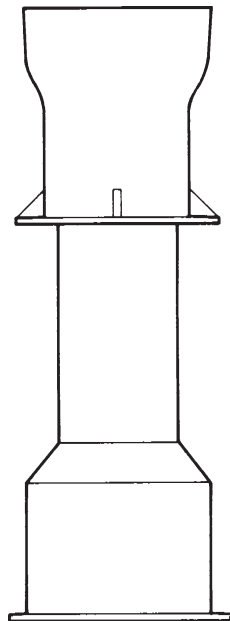
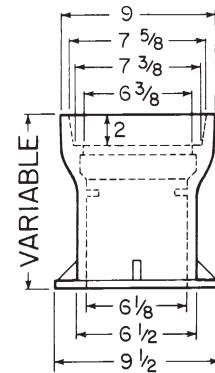
\*\*Note: D=Domestic ND=Non-Domestic HD=Heavy Duty Weight Std.=Standard Weight



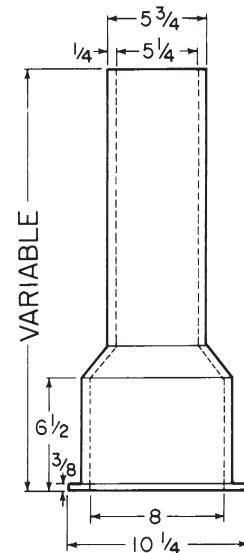
**6855 SERIES**  
**CAST IRON TWO-PIECE VALVE BOXES**  
 for 4" through 12" valves, 5 1/4" shaft, slip-type

TYLER UNION valve boxes are available either pre-assembled or as individual tops and bottoms. For assembled boxes, The UPC codes shown represent a combination of one top and one bottom in the sizes shown. For unassembled boxes, the UPC code represents only a top or a bottom, not a complete box. Therefore, unassembled boxes require ordering tops and bottoms separately.

**\*\*NOTE: Domestic Valve Boxes available in Heavy Duty Only**  
**Non-Domestic available in Standard or Heavy Duty**



**Box Assembled  
(Less Lid)**



Box (Components)	Extension*(D-HD)UPCode	*(ND-HD)UPCode		*(ND-Std.)UPCode		
		Height	670610	Wt	670610	Wt
461-A (10T + 15B)	19-22	145844	502234	55	112099	34
462-A (10T + 24B)	27-32	145831	----	65	112105	46
562-A (16T + 24B)	27-37	145868	502241	72	112112	55
563-A (16T + 30B)	33-43	145714	----	81	112129	67
564-A (16T + 36B)	39-50	145875	502258	83	112136	72
662-A (26T + 30B)	36-52	145721	----	97	112143	83
664-A (26T + 36B)	39-60	145882	502265	99	112150	88
666-A (26T+24B+60 Ext)	51-71	145899	----	124	112167	108
668-A (26T+36B+60 Ext)	62-82	145905	----	135	112181	125

NOTE: D=Domestic ND=Non-Domestic HD=Heavy Duty Weight Std=Standard Weight

Lids marked "WATER" will ship unless otherwise specified:  
 Also available 5 1/4" Drop Lids"  
 1)WATER OMA 2)SEWER 3)MWW  
 4)PLAIN 5)GAS 6)REUSE  
 Note: Special Lettering Available  
 Contact Tyler Union for  
 Setup Charge

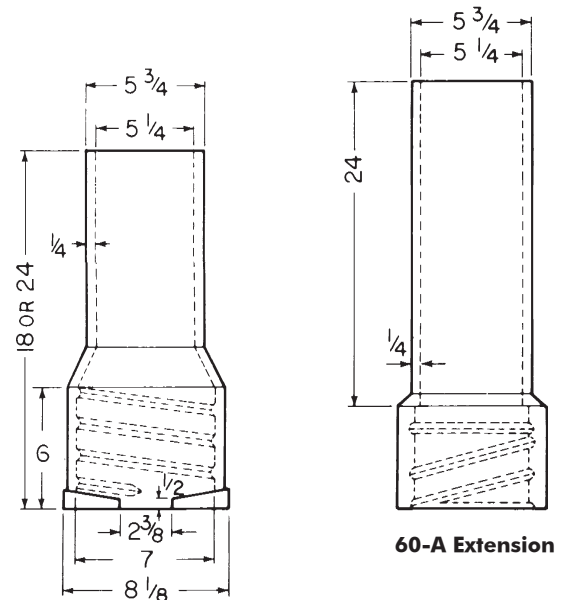
**SEPARATE UPCODES for VALVE BOX TOPS ONLY (Less Lids)**

Box	TOP Length	**(D-HD) UPCode		**(ND-HD) UPCode		**(ND-Std.) UPCode	
		670610	Wt	670610	Wt	670610	Wt
461-A	(10T)	144960	29	502272	29	112211	15
462-A	(10T)	144960	29	502272	29	112211	15
562-A	(16T)	144977	36	502289	36	112228	25
563-A	(16T)	144977	36	502289	36	112228	25
564-A	(16T)	144977	36	502289	36	112228	25
662-A	(26T)	144984	52	502296	52	112235	38
664-A	(26T)	144984	52	502296	52	112235	38
666-A	(26T)	144984	52	502296	52	112235	38
668-A	(26T)	144984	52	502296	52	112235	38

\*\*NOTE: D=Domestic ND=Non-Domestic HD=Heavy Duty Weight Std=Standard Weight

**EXTENSIONS**

Item/Description	Height Increase	**(D-HD) UPCode		**(ND-Std.) UPCode	
		670610	Wt	670610	Wt
#58-A Slip-Type	6 to 14	145233	29	136637	26
#59-A Slip-Type	6 to 18	145240	30	136644	28
#60-A Slip-Type	6 to 24	145066	36	112198	37



**58-A and 59-A Extension**

**60-A Extension**

**SEPARATE UPCODES for VALVE BOX BOTTOMS ONLY**

Box	Bottom Length	**(D-HD) UPCode		**(ND-HD) UPCode		**(ND-Std.) UPCode	
		670610	Wt	670610	Wt	670610	Wt
461-A	(15B)	145073	26	502302	26	112051	20
462-A	(24B)	145080	36	502319	36	112068	30
562-A	(24B)	145080	36	502319	36	112068	30
563-A	(30B)	145127	45	502333	45	112075	39
564-A	(36B)	145097	47	502340	47	112082	43
662-A	(30B)	145127	45	502333	45	112075	39
664-A	(36B)	145097	47	502340	47	112082	43
666-A	(24B)	*145080	36	*502319	36	*112068	30
668-A	(36B)	*145097	47	*502240	47	*112082	43
	(60B)	---	---	---	---	458302	75

\*\*NOTE: D=Domestic ND=Non-Domestic HD=Heavy Duty Weight Std=Standard Weight

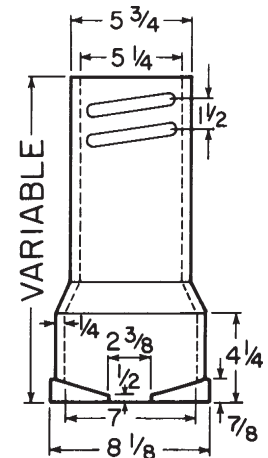
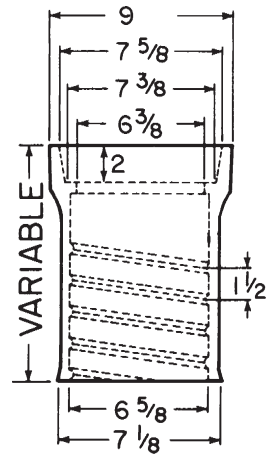
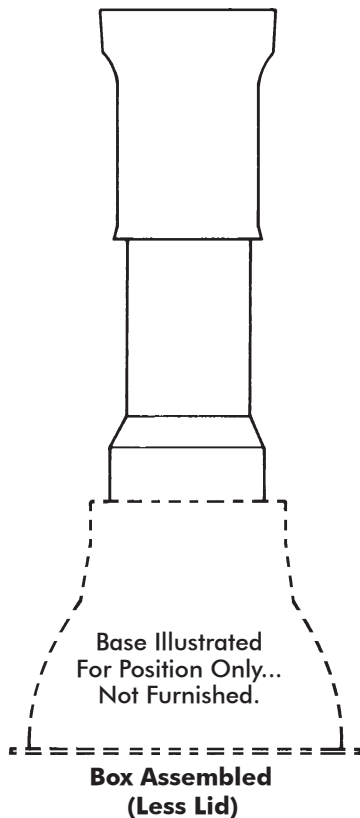
**\*NOTE: When installing these extensions a 6850 screw type bottom is required**



**8660 SERIES  
CAST IRON THREE-PIECE VALVE BOXES**  
for 3" through 20" valves, 5 1/4" shaft, screw-type  
\*\*\* (Base required, order separately)

TYLER UNION valve boxes are available either pre-assembled or as individual tops and bottoms. For assembled boxes, The UPC codes shown represent a combination of one top and one bottom in the sizes shown. For unassembled boxes, the UPC code represents only a top or a bottom, not a complete box. Therefore, unassembled boxes require ordering tops and bottoms separately.

**\*\*NOTE: Domestic Valve Boxes available in Heavy Duty Only  
Non-Domestic available in Standard or Heavy Duty**



Box (Components)	Extension*(D-HD)UPCode Height	*(ND-HD)UPCode		Wt	*(ND-Std.)UPCode	
		670610	670610		670610	Wt
AA (10T + 12B)	27-37	145912	----	42	136668	29
A (16T + 18B)	33-42	145929	----	65	136651	38
B (16T + 24B)	39-49	145936	----	69	136675	51
C (16T + 30B)	45-54	145943	----	73	136682	55
CC (16T + 36B)	51-60	145950	----	75	136699	59
D (26T + 30B)	45-66	145967	502357	88	136811	71
DD (26T + 36B)	51-72	145974	502364	90	136828	75
E (16T+24B+60 Ext)	63-72	145981	----	105	136835	80
F (26T+24B+60 Ext)	63-84	145998	----	120	136842	96
G (26T+36B+60 Ext)	74-94	146001	502371	126	136859	104

Lids marked "WATER" will ship unless otherwise specified:  
Also available 5 1/4" Drop Lids"  
1)WATER OMA 2)SEWER 3)MWW  
4)PLAIN 5)GAS 6)REUSE  
Note: Special Lettering Available  
Contact Tyler Union for Setup Charge

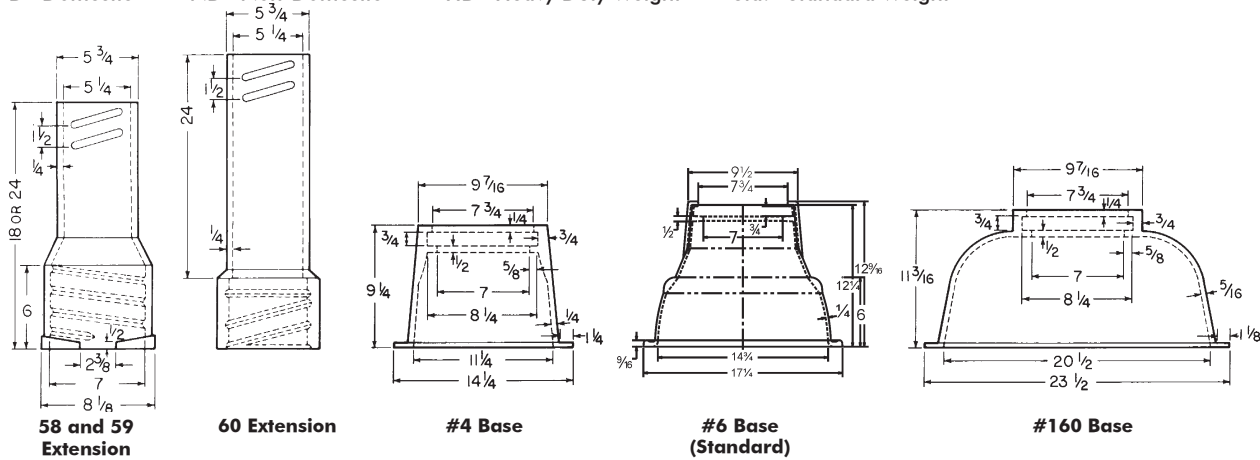
\*NOTE: D=Domestic ND=Non-Domestic HD=Heavy Duty Weight Std=Standard Weight

\*\*\*NOTE: Base Selection Guide (#4 Base for 6" valves or less) (#6 Base for 12" valves or less) (#160 Base for 24" valves or less)

### SEPARATE UPCODES for VALVE BOX TOPS ONLY (Less Lids)

Box	TOP Length	**(D-HD) UPCode		**(ND-HD) UPCode		**(ND-Std.) UPCode	
		670610	Wt	670610	Wt	670610	Wt
AA	(10T)	144939	23	502142	23	112402	15
A	(10T)	144939	23	502142	23	112402	15
B	(16T)	144946	36	502159	36	112419	22
C	(16T)	144946	36	502159	36	112419	22
CC	(16T)	144946	36	502159	36	112419	22
D	(26T)	144953	51	502166	52	112426	38
DD	(26T)	144953	51	502166	52	112426	38
E	(16T)	144946	36	502159	36	112419	22
F	(26T)	144953	51	502166	52	112426	38
G	(26T)	144953	51	502166	52	112426	38

\*\*NOTE: D=Domestic ND=Non-Domestic HD=Heavy Duty Weight Std.=Standard Weight



### EXTENSIONS

Item/Description	UPCode 670610	Height Increase	Wt
#58 Screw-Type	145141	14	29
#59 Screw-Type	145158	18	30
#60 Screw-Type	145059	24	37
#60 Screw-Type	*112389	24	29
#60 Screw-Type	* Call	24	36

\*Non-Domestic

### BASES

Item/Description	*(D-HD)UPCode 670610	*(ND)UPCode 670610	Wt	*(ND-Std)UPCode 670610	Wt
#4, 11 1/4" Wide	145653	----	34	381532	22
#6, 14 3/4" Wide	145660	----	45	381525	36
#160, 20 1/2" Wide	145684	----	68	256861	55

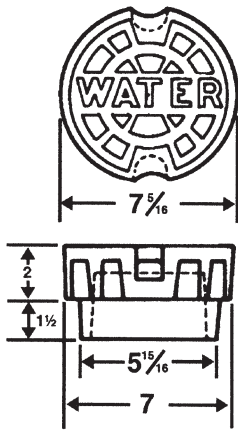
\*D=Domestic ND=Non-Domestic HD=Heavy Duty Weight Std.=Standard Weight

### SEPARATE UPCODES for VALVE BOX BOTTOMS ONLY

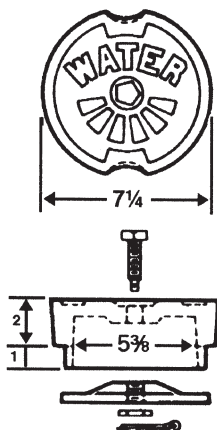
Box	Bottom Length	**(D-HD) UPCode		**(ND-HD) UPCode		**(ND-Std.) UPCode	
		670610	Wt	670610	Wt	670610	Wt
AA	(12B)	145134	19	---	---	250524	14
A	(18B)	145141	29	505594	29	250517	25
B	(24B)	145158	33	502388	33	136958	29
C	(30B)	145165	37	502395	37	136613	33
CC	(36B)	145172	39	502401	39	136620	35
D	(30B)	145165	37	502395	37	136613	33
DD	(36B)	145172	39	502401	39	136620	35
E	(24B)	145158	33	502388	33	136958	29
F	(24B)	145158	33	502388	33	136958	29
G	(36B)	145172	39	502401	39	136620	35
	(48B)	---	---	---	---	452713	65
	(60B)	---	---	---	---	452720	91

\*\*NOTE: D=Domestic ND=Non-Domestic HD=Heavy Duty Weight Std.=Standard Weight

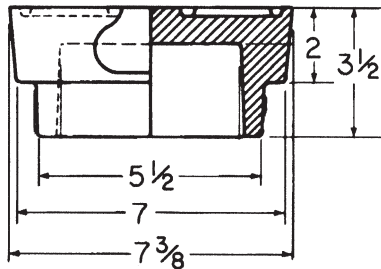




Drop Lid



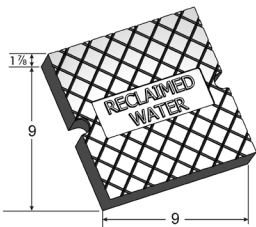
Lock Lid



**5 1/4" MWW DROP LID**

*(D-HD)UPCode	*(ND-HD)UPCode	Wt.
670610	670610	12
145370	136880	12

\*D=Domestic ND=Non-Domestic  
HD=Heavy Duty Weight

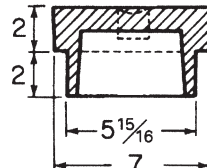


**RECLAIMED WATER LID**

*(D-HD)UPCode
670610
458892

NOTE: Square Valve Box Tops for this Lid will be available in 2012. Call Tyler Union for information.

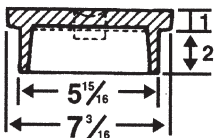
\*D=Domestic HD=Heavy Duty Weight



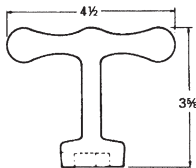
**5 1/4" OMA DROP LID\*\***

*(D-HD)UPCode	*(ND-HD)UPCode	Special Markings	Wt.
670610	670610	**WATER OMA 12	12
145301	136927		12

\*D=Domestic ND=Non-Domestic HD=Heavy Duty wt.  
\*\*OMA marking is inside lid.



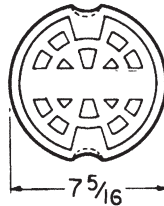
1 1/8" Lid



**WRENCH**

Fits Standard Waterworks  
Pentagon Head 27/32" Brass  
Screws

UPCode	Ship Code	Description	Wt
670610	S	Wrench	0.5
144908	S	Wrench	0.5



**5 1/4" DROP LID W/SPECIAL MARKINGS\*\***

*(D-HD)UPCode	*(ND-Std)UPCode	Special Mark
670610	670610	Wt.
145332	136873	9 GAS
145349	136903	9 SEWER
145356	136897	9 PLAIN
458975	---	9 REUSE

\*\*Lids marked with "WATER" will be shipped unless otherwise specified.

**LIDS (WATER)**

Item/Description	*(D-HD)UPCode		*(ND-Std)UPCode		*(ND-HD)UPCode	
	670610	Wt	670610	Wt	670610	Wt
5 1/4 Drop Lid	145325	12	136910	9	---	---
5 1/4 Lock Lid	145462	11	136866	11	---	---
1 1/8 Lid**	145509	11	112532	9	---	---

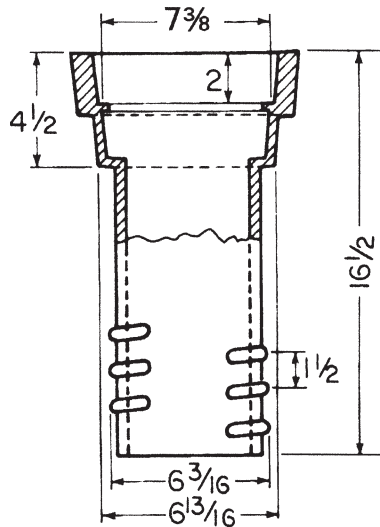
(Use with 1 1/2" Riser Only)

\*NOTE: D=Domestic ND=Non-Domestic HD=Heavy Duty Weight Std=Standard Weight





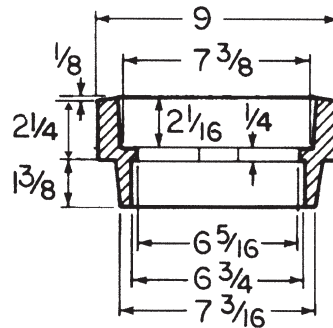
**FIXED & ADJUSTABLE RISERS  
PLUS SPECIALTY VALVE BOX  
TOPS**



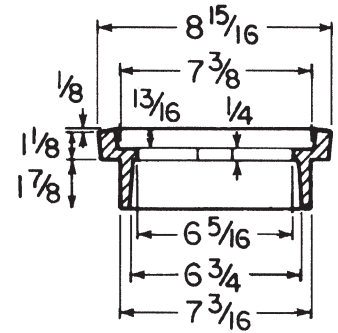
**#69 SCREW TYPE ADJUSTABLE RISER  
FOR 6850/60 SERIES  
(Uses Standard Drop Lid)**

*(D-HD)UPCode	*(ND-HD)UPCode	Height Increase	Weight
670610	670610	2 1/2" - 9"	29

\*D=Domestic ND=Non-Domestic HD=Heavy Duty



**5 1/4" x 2 1/4" Riser  
(Uses Standard 5 1/4"  
Drop Lid)**



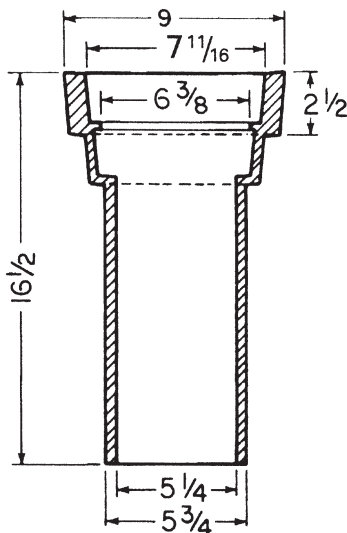
**5 1/4" x 1 1/8" Riser  
(Requires 1 1/8" Riser Lid)**

**RISERS**

Item/Description	*(D-HD)UPCode	*(ND-HD)UPCode	Height Increase	Wt
5 1/4 x 1 1/8 Slip-In*	145554	112549	1 1/8"	8
5 1/4 x 2 1/4 Slip-In	145547	112556	2 1/4"	14

\*Use with 1 1/8" Lid Only.

\*D=Domestic ND=Non-Domestic HD=Heavy Duty



**#69-A SLIP TYPE ADJUSTABLE RISER  
FOR 6855 SERIES  
(Uses Standard Drop Lid)**

*(D-HD)UPCode	*(ND-HD)UPCode	Height Increase	Wt
670610	670610	2 1/2" - 12"	29

\*D=Domestic ND=Non-Domestic HD=Heavy Duty

**Specialty Valve Box Tops - Call for Submittal / Product Drawing**

*D-UPCode	Description	Weight
376774	7126-26T Slip Type Special with Top Flange See 29U Submittal for dimensions Lid Type: Uses Standard 5-1/4" Drop	49

**ND-UPCode	Description	Weight
502883	910-18T Slip Type Special with Top Flange Body: 7.0" Inside Diameter 7.5" Outside Diameter Top Flange: 12" Outside Diameter Flange 3/8" Thick Lid: Call for Information	37

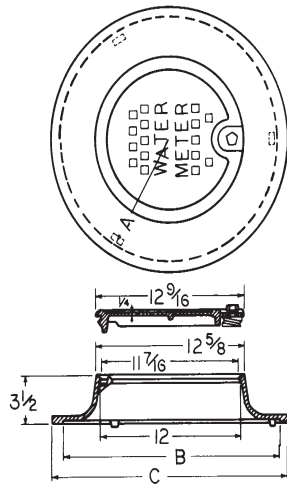
**ND-UPCode	Description	Weight
502890	940-18T Slip Type Special with Bottom Flange Body: 6.125" Inside Diameter 6.50" Outside Diameter Bottom Flange: 9.25" Outside Diameter Flange 7/16" Thick Lid: Call for Information	35

Note: \*D = Domestic \*\*ND = Non-Domestic



**METER COVERS, TOUCH-READER (TR)  
RINGS & LIDS**

**6150 & 6150TR METER COVERS,  
CAST IRON**

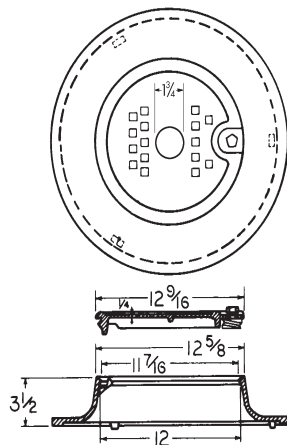


6150 Meter Box Cover

Description	A	B	C
18-in. 6150 Series	8 <sup>3</sup> / <sub>4</sub>	18	20
20-in. 6150	9 <sup>3</sup> / <sub>4</sub>	20	22

UPCode	Ship Code	Description	Weight
670610			
148449	S	6150-18 Ring & Lid B/L*	39
148456	S	6150-18 Ring & Lid B/S*	39
148647	S	6150-18 Ring Only	27
148494	S	6150-18/20 Lid With Lock B/L*	13
148593	S	6150-L-18/20 Lid Less Lock	14
148500	S	6150-18/20 Lid With Lock B/S*	13
148463	S	6150-20 Ring & Lid B/L*	41
148470	S	6150-20 Ring & Lid B/S*	41
148630	S	6150-R-20 Ring Only	29

\*B/L = Large Head Bolts (1-1/32"); \*B/S = Small Head Bolts (27/32" Standard)  
NOTE: The B/L & B/S pentagon head screws use the same worm or locking gear.

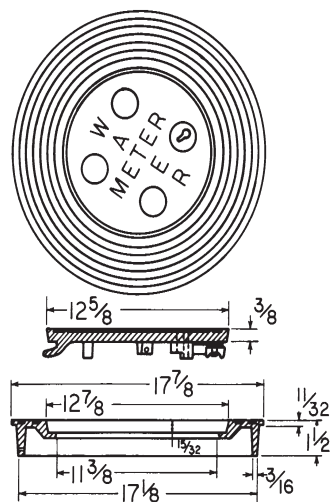


6150TR Meter Cover

**6150TR (TOUCH-READER) METER COVERS CAST IRON**

UPCode	Ship Code	Description	Weight
670610			
148531	S	6150-18 TR Ring & Lid B/L"	39
148524	S	6150-18 TR Ring & Lid B/S*	39
148579	S	6150-18/20 TR Lid With Lock B/L*	13
148562	S	6150-18/20 TR Lid With Lock B/S*	13
148586	S	6150-18/20 TR Lid Less Lock	12
148555	S	6150-20 TR Ring & Lid B/L*	41
148548	S	6150-20 TR Ring & Lid B/S*	41

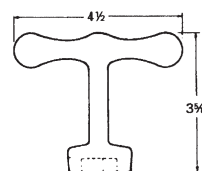
\*B/L = Large Head Bolts (1-1/32"); B/S = Small Head Bolts (27/32")  
NOTE: 6150TR - Same dimensions as 6150, plus a 1-27/32" access hole in lid.  
NOTE: The B/L & B/S pentagon head screws use the same worm or locking gear.



6200 Meter Cover

**6200 METER COVER, CAST IRON**

UPCode	Ship Code	Description	Weight
670610			
148708	S	6200 Ring & Lid Less Lock	28
148760	S	6200-R Ring Only	18
148739	S	6200-L Lid Less Lock	13
148722	S	6200-L Lid With Lock	11



**WRENCH  
Fits Standard Waterworks  
Small Pentagon Head 27/32" Brass Screws**

UPCode	Ship Code	Description	Weight
670610			
144908	S	Wrench	0.5