

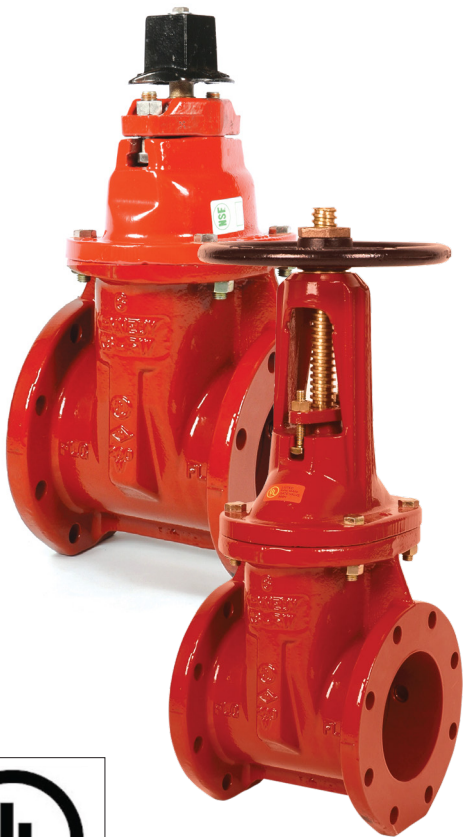


# Resilient Wedge Gate Valve

## KENNEDY KS-FW HP / KS/RW HP

AWWA 350 PSI

Kennedy Gate valves with its unique features have been used in water and fire protection Industry for over 100 years. Our gate valves conforms to AWWA C 515 or AWWA C 509 with Cast Iron or Ductile Iron body with wedges totally encapsulated with Rubber offering bubble tight shut off. Valves are designed with smooth unobstructed and are free of pockets, cavities and depressions in the seat area. The valves are available with NRS (non-rising stem) and OS&Y configurations. The valve has many features such as Ease of operation, Positive Sealing and full flow capacity. The valves are specifically designed for higher pressure applications associated with High rise buildings, Fire water pumping stations etc. where better than normal performance is desired. Valves are available with UL listed and FM approved certifications.



### General Specifications

Type : Resilient Seated Ductile Iron  
 Gate Valves to AWWA C 515 & 509  
 SIZES : 2" to 12" Flanged  
 Working Pressure: 350 PSI (24 bar)

### Models

5561 : NRS Gate Valves  
 5068 : OS&Y Gate Valves  
 5701 : Type 5561 with Post Plate

Sizes up to 3" are to AWWA C509 Type KS FW HP  
 Sizes 4" and above are to AWWA C515 Type KS RW HP

### Flanges

ANSI B 16.1 Class 125 /150 FF  
 Options: Flanges Drilled to PN 16 & ANSI 250 RF

Face to Face : ANSI B 16.10

### Operation

Operating Nut, Hand Wheel  
 Indicator Post option available

### Test Pressure

Seat Test: 525 PSI (36 Bar)  
 Body Hydraulic: 700 PSI (49 Bar)

### Coating

Fusion bonded nontoxic epoxy coating  
 NSF 61 Certified & to AWWA C-550

## MATERIAL OF CONSTRUCTION

UL/FM Approved for 350 PSIG

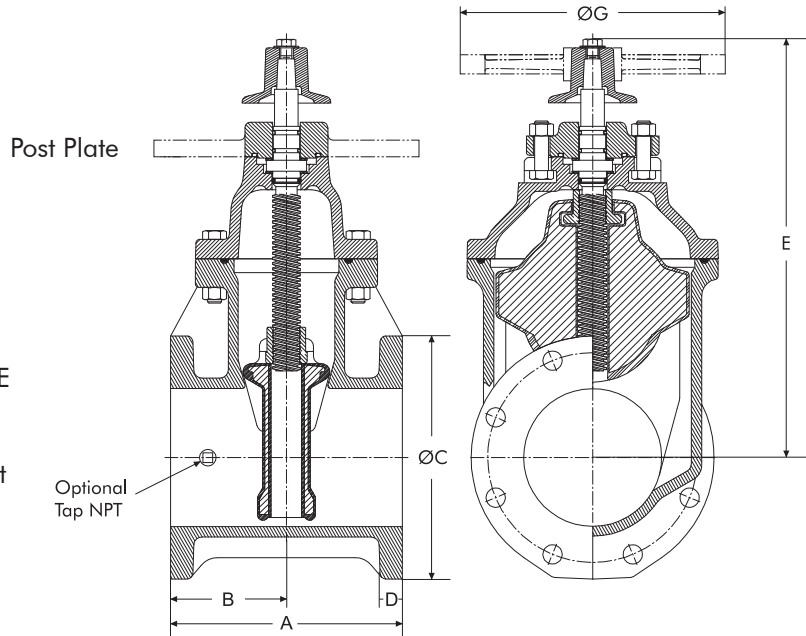
Body & Bonnet	: Ductile Iron ASTM A 536 Gr 70-50-5	O Rings	: NBR
Wedge	: EPDM encapsulated Ductile Iron	Thrust Washer	: Delrin
Stem & Stem Nut	: Bronze ASTM B 584 C86700 or Bronze ASTM B 763 C99500 or Stainless Steel 304 or 316	Bonnet O Ring	: NBR
Stem Cap SQ Nut	: Grey Cast Iron ASTM A 126	Hand wheel	: Ductile Iron ASTM A 536
		Coating	: Fusion Bonded Epoxy (230 Microns)
		Bolt & Nuts	: Stainless Steel 304

\*Remarks: Options and sizes are limited to UL/FM models. Please check with us prior to ordering.

The specifications and material grades shown are subject to revision without notice based on our product improvement programme.

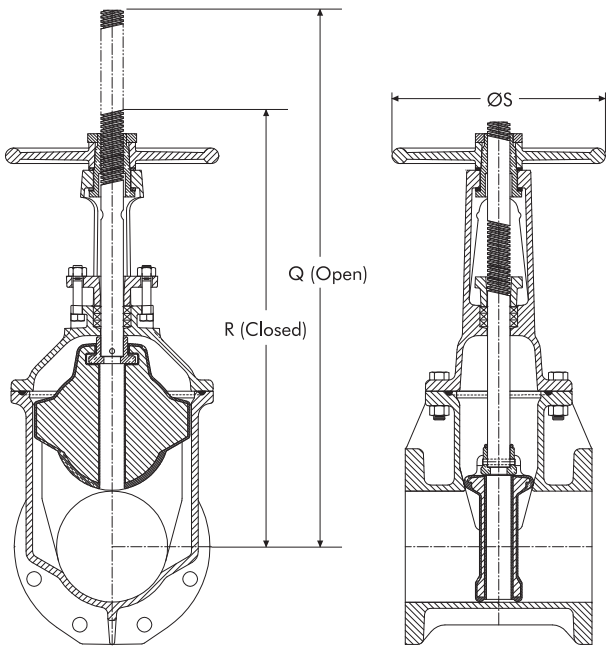


# Dimensions Resilient Seated Gate Valve KS 350 PSI



## MODEL KS 5561, NON RISING STEM TYPE

- 5561 ASS with Hand Wheel
- 5561 ANSS with 2" Square Stem Cap Nut
- 5701 ASS with 12" Dia Post Plate



## MODEL KS 5068A OS&Y TYPE

SIZE in Inches	SIZE in mm	A	B	C	D	5561 NRS			5068 OS & Y			
						E	φG	Weight KG	Q	R	ØS	Weight KG
2 1/2"	65	190	95	178	17	289	184	29	416	352	184	23
3"	80	203	102	191	19	314	254	29	479	397	254	29
4"	100	229	114	229	24	375	254	40	603	464	254	48
6"	150	267	133	279	25	483	305	60	765	603	305	69
8"	200	292	146	343	29	572	356	94	959	743	356	115
10"	250	330	165	407	30	673	457	150	1162	899	457	194
12"	300	356	178	482	32	762	457	235	1349	1032	457	264

All dimensions in MM

Model 5701 is provided 309MM ( 12") Post plate suitable for mounting Kennedy Post indicator

\*Standard Flange Drilling ANSI B16.1 Class 125 / 150

The specifications and material grades shown are subject to revision without notice based on our product improvement programme.



McWane International, 1201 Vanderbilt Road, Birmingham AL 35234, USA,  
Ph.: 205-716-6600, Fax: 205-324-7250, email: [inquiries@mcwaneintl.com](mailto:inquiries@mcwaneintl.com)  
[www.mcwaneinternational.com](http://www.mcwaneinternational.com)